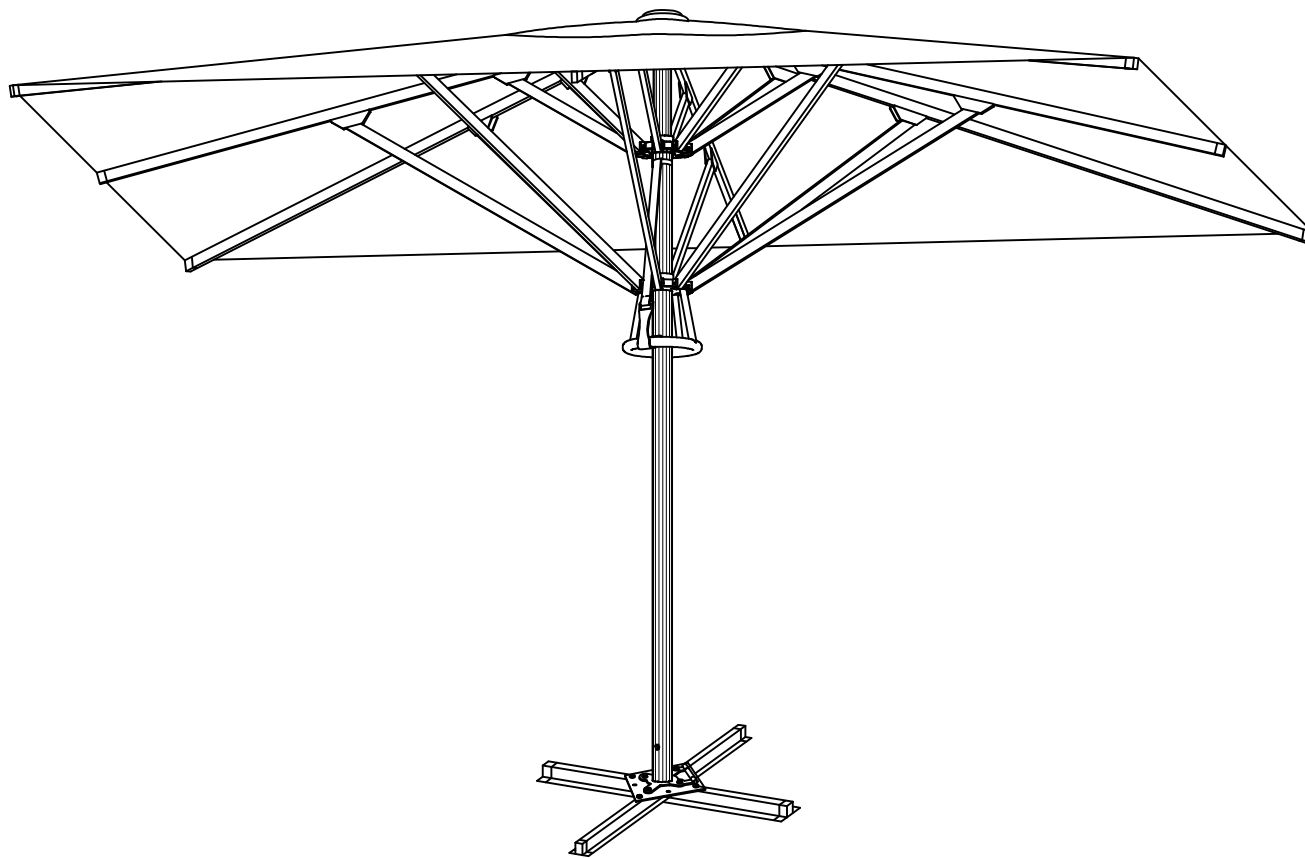
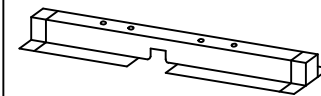


4X4/5X5M

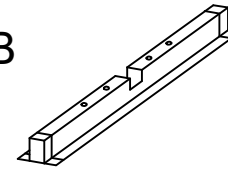


A



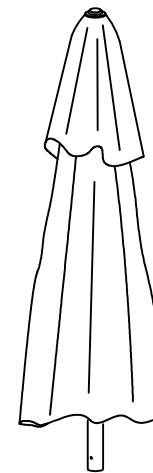
×1

B



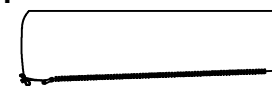
×1

E



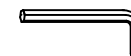
×1

I



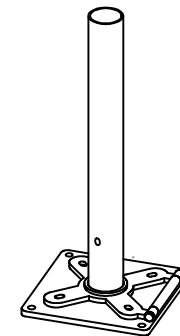
×1

L



×1

C



×1

D



M8 × 25

×4

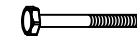
I



M8 × 20

×4

F



×1

G



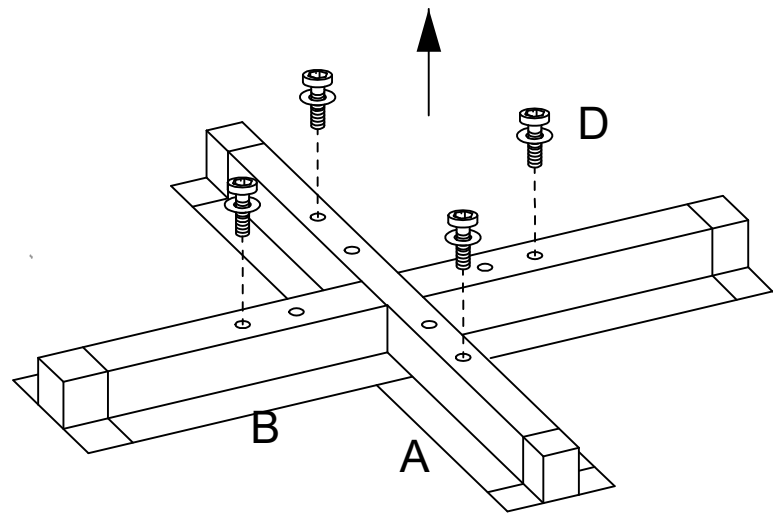
×1

H

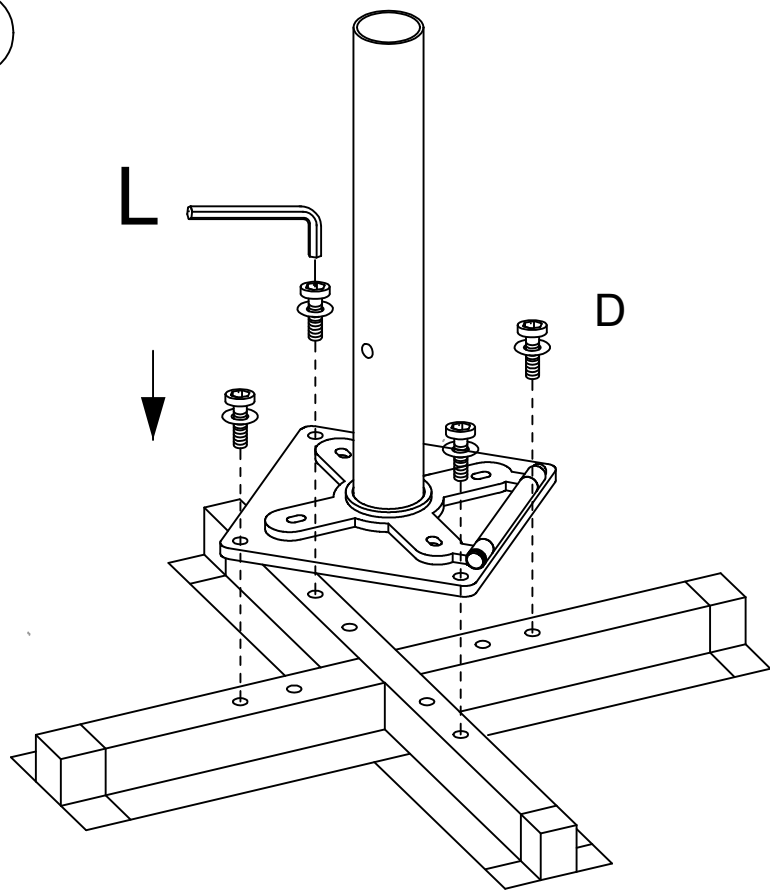


×2

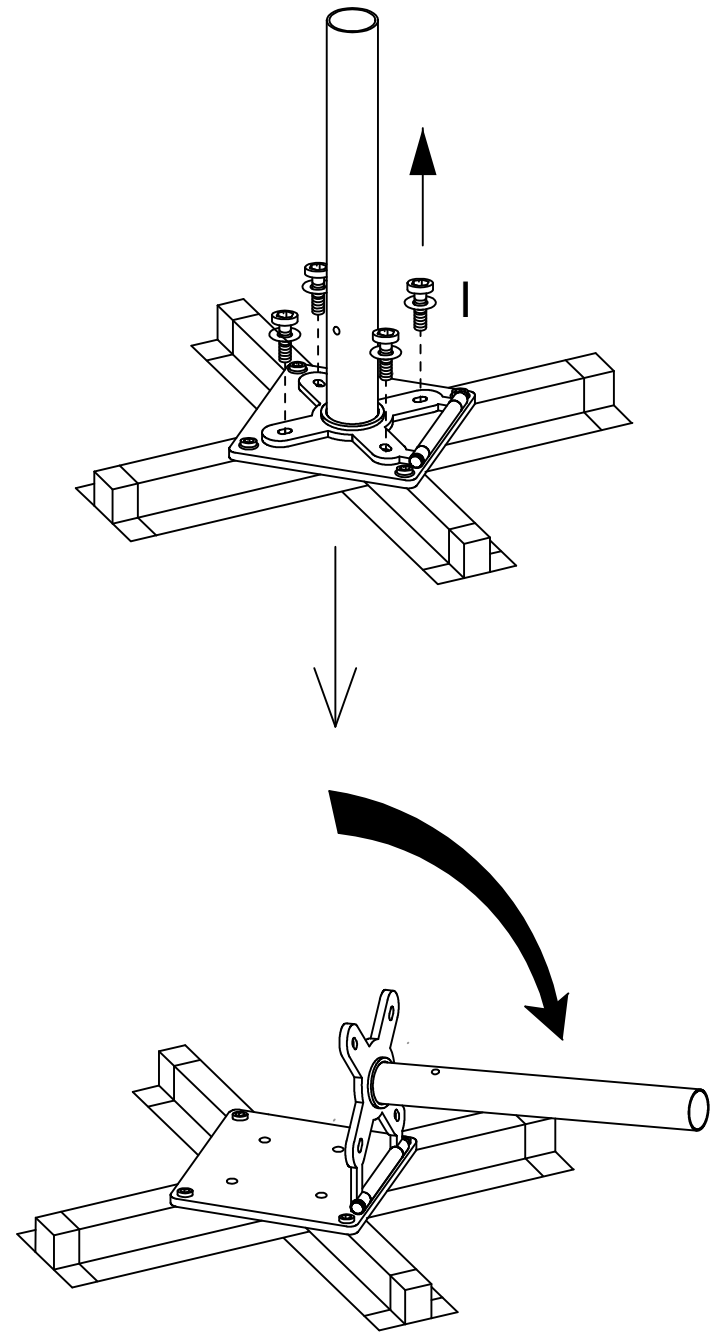
1



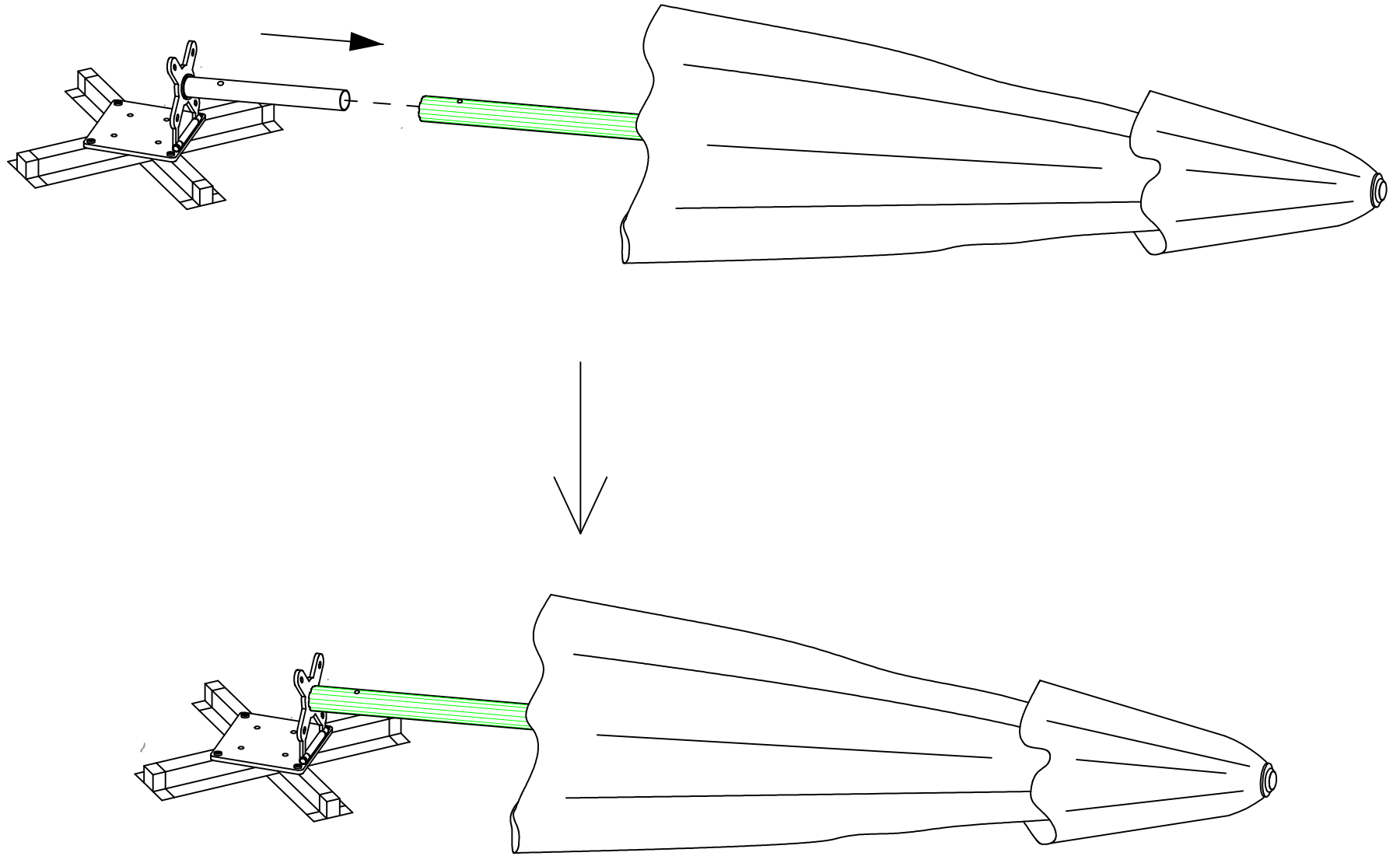
2



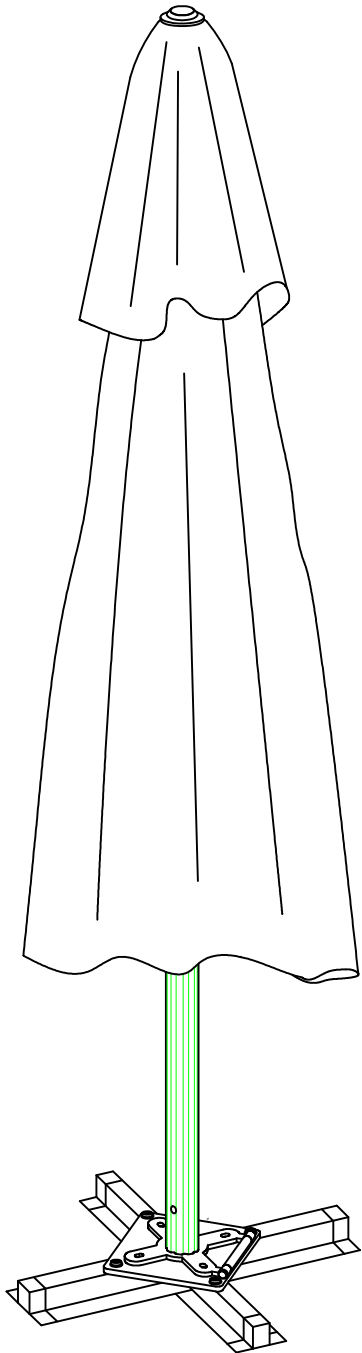
3



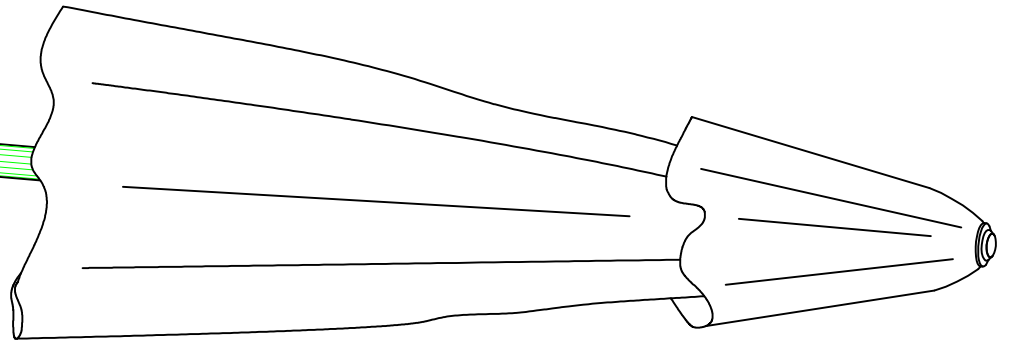
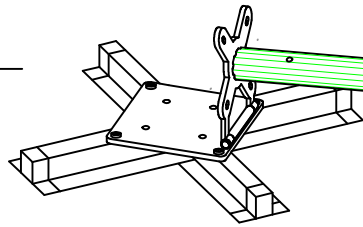
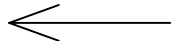
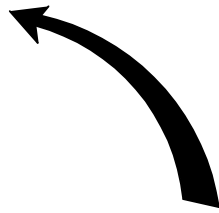
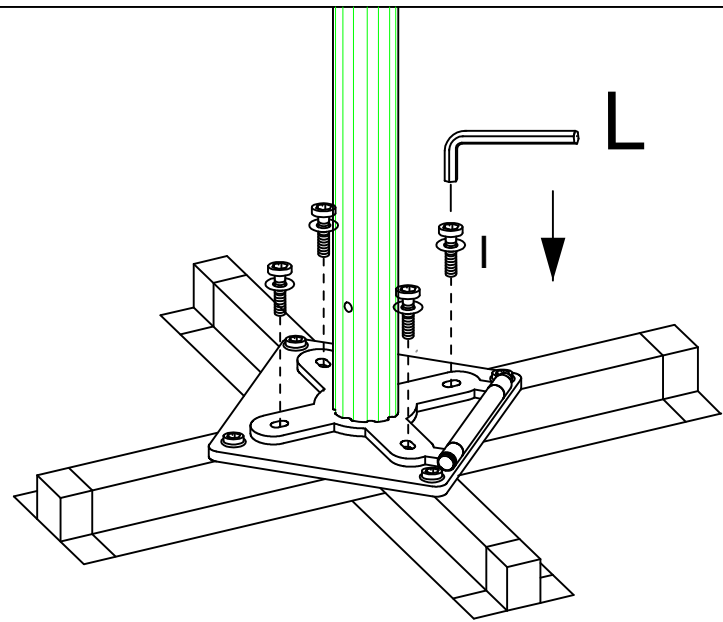
4



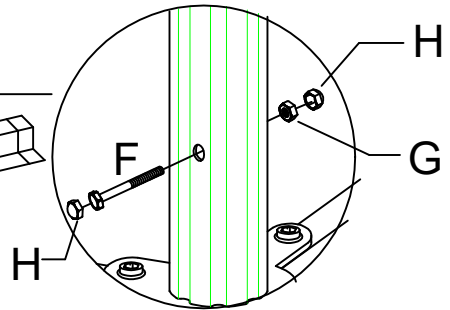
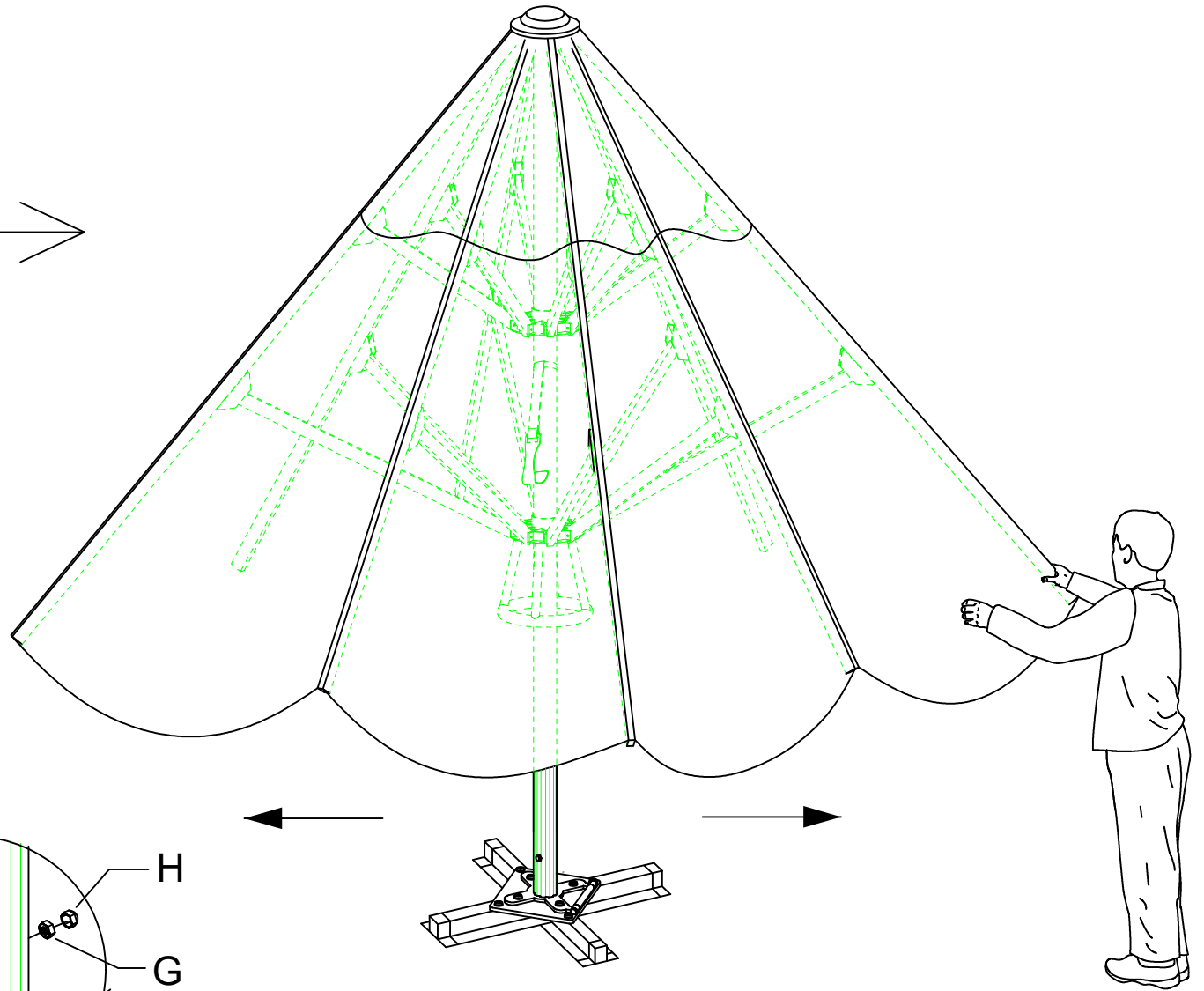
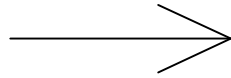
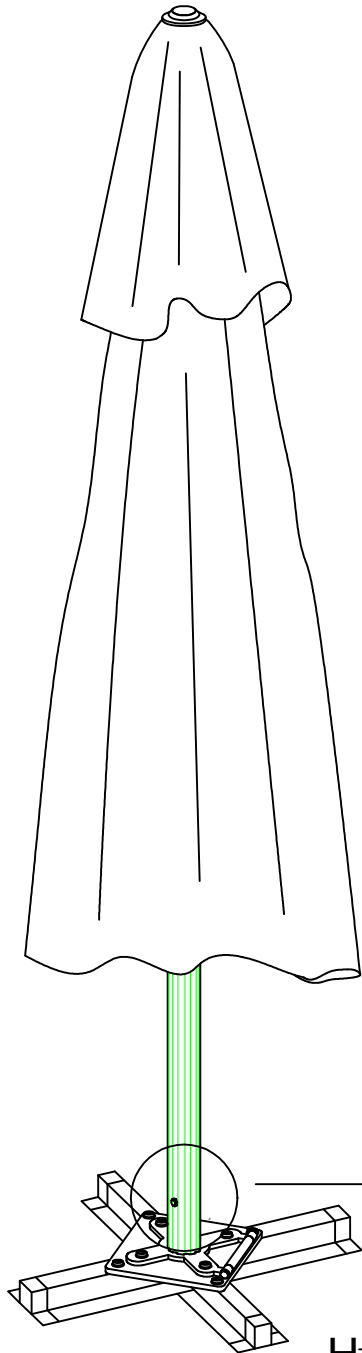
5



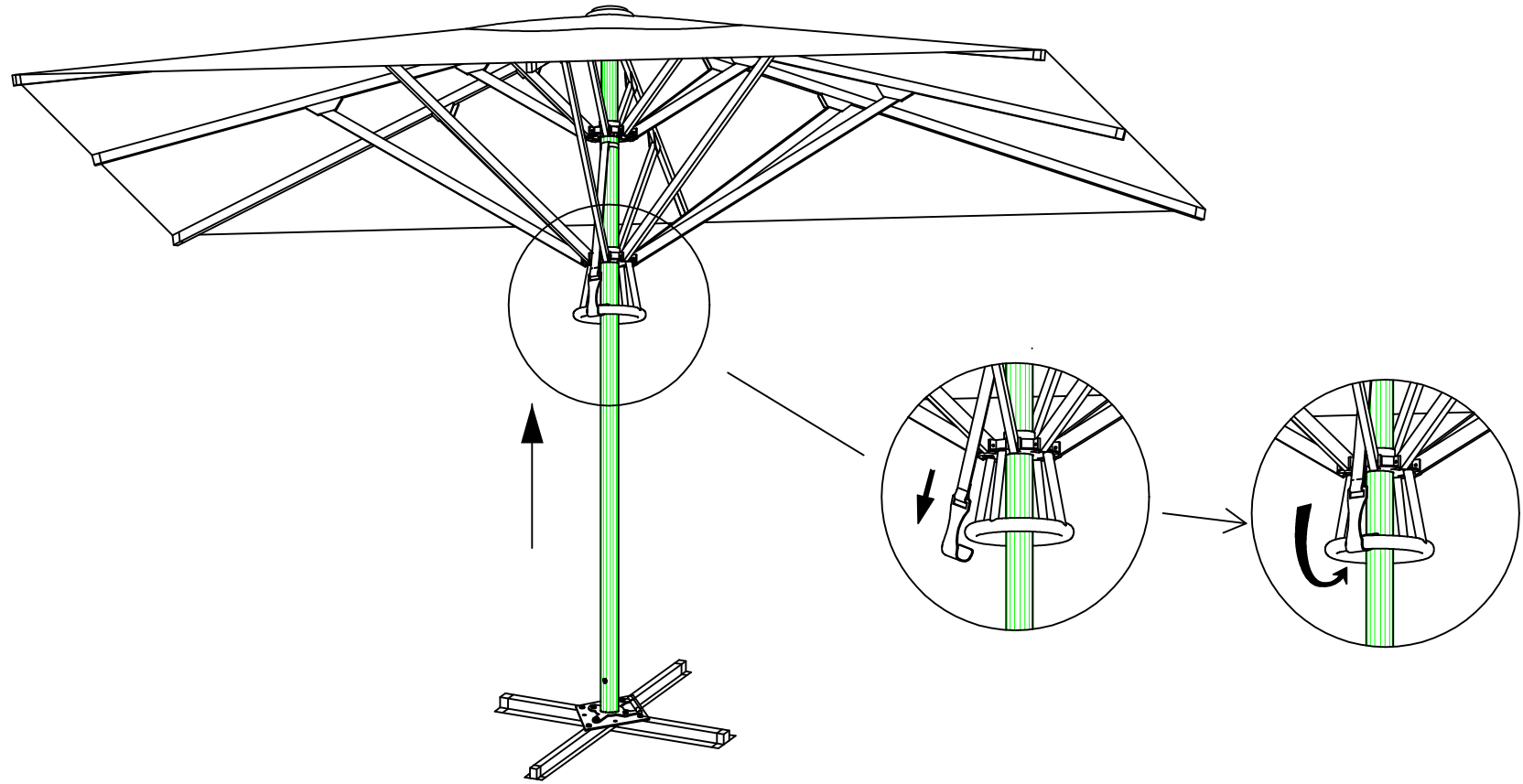
6



7



8



9

