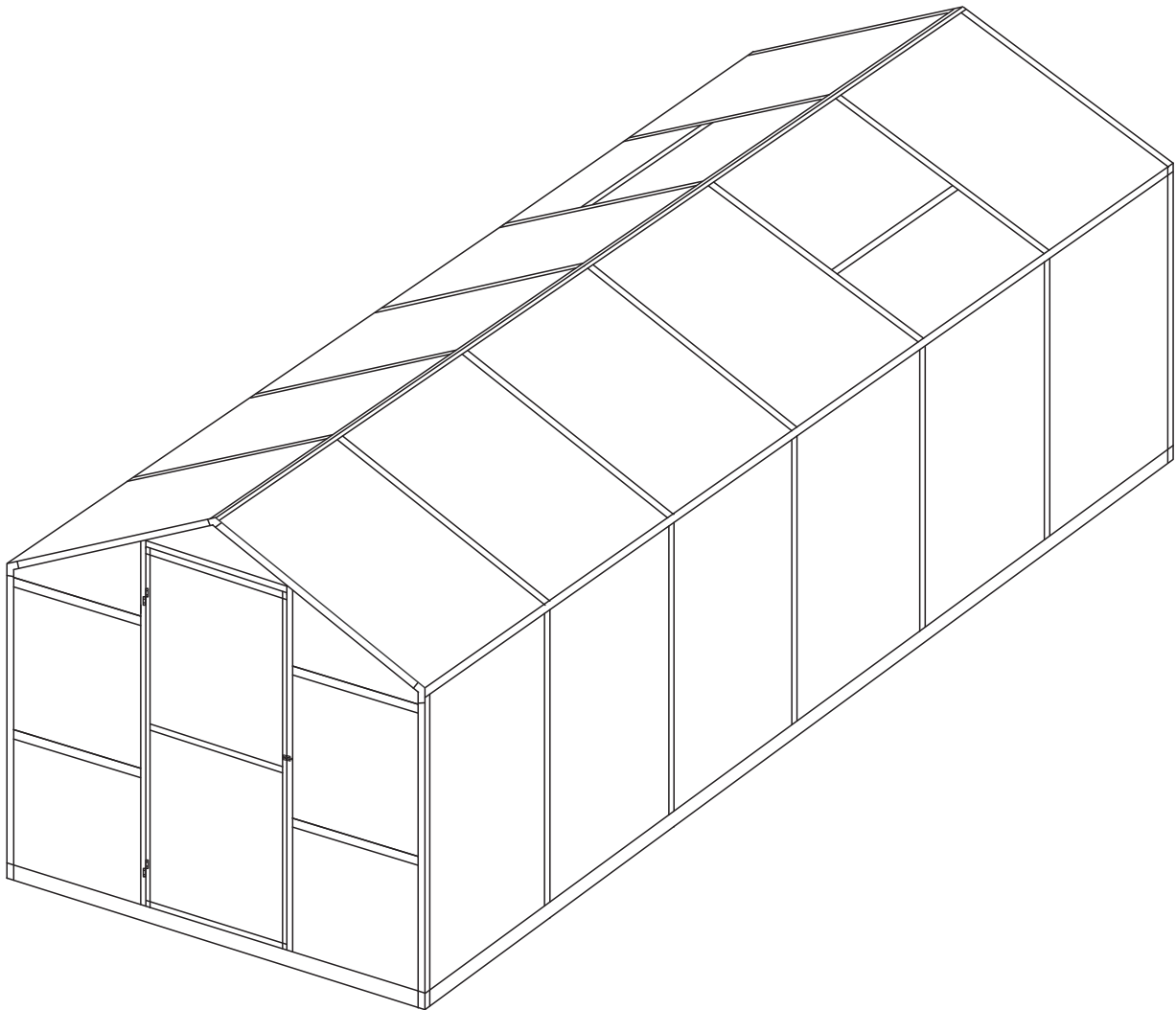
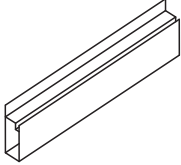
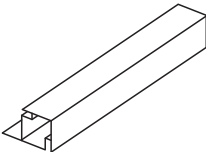
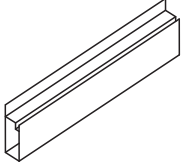
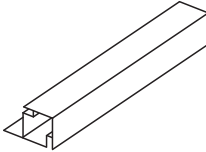
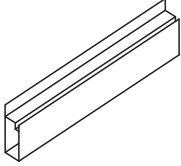
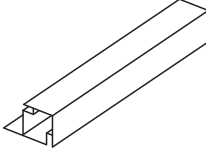
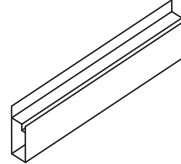
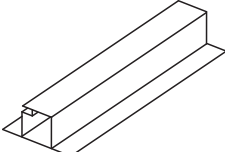
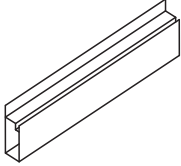
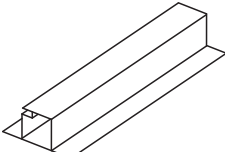
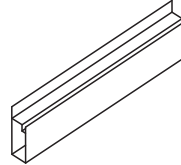
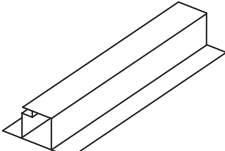
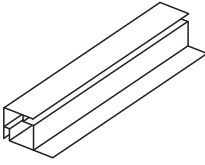
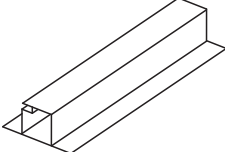
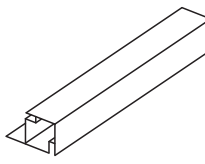
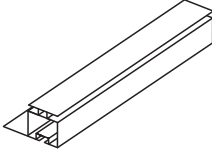
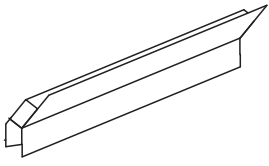
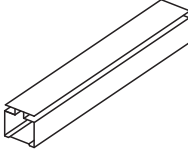
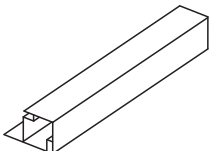
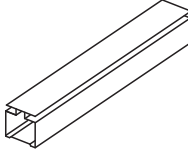


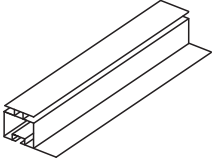
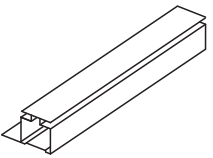
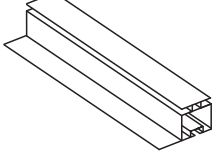
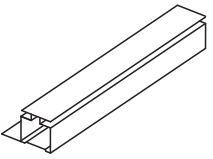
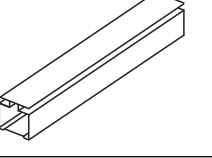
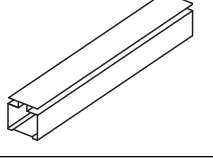
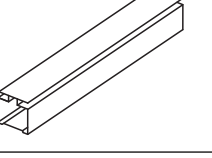
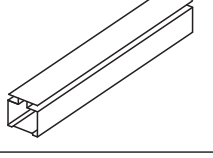
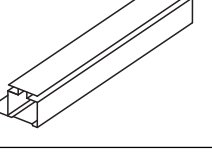
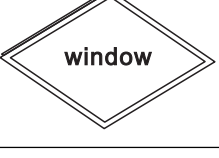
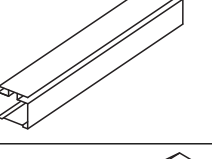
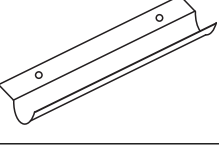
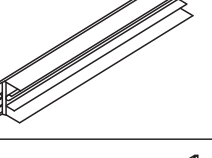
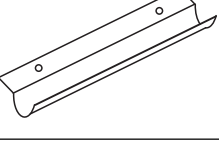
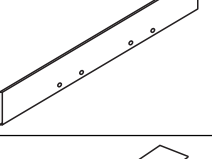
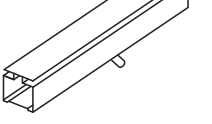
Aluminium Greenhouse
ASSEMBLY INSTRUCTIONS




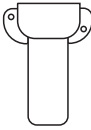
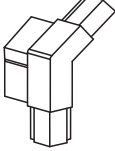
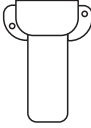
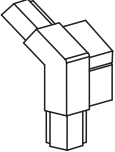

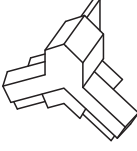

Please read all instructions carefully before assembly.
It is best to familiarize yourself with the parts and
collate the appropriate parts for each step.

Aluminum Parts:





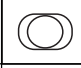


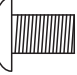

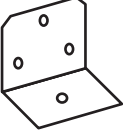


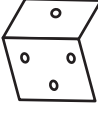



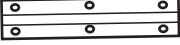



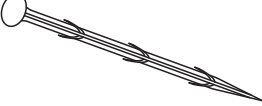
No.	Picture	Qty.	Size	No.	Picture	Qty.	Size
1		2	176.2	9		1	130.2
2		2	176.2	10		1	130.2
3A		1	116.1	11		1	130.2
3B		1	116.1	12		1	164.3
4A		1	116.1	13		1	164.3
4B		1	116.1	14		1	165.8
5A		2	113	15		1	165.8
5B		2	113	16		10	113
6		4	176.2	17		4	131.5
8		1	130.2	17A		2	131.5

No.	Picture	Qty.	Size	No.	Picture	Qty.	Size
18A		2	131.5	25		1	155
18B		2	131.5	26		1	155
19		4	81.9	27		2	56.3
20		4	85	28		1	56.3
21		1	63	30		2	58*58
22		1	57	31A		2	177.6
23		2	177.6	31B		2	177.6
23A		1	48				
24		2	57				

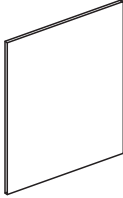
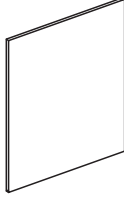
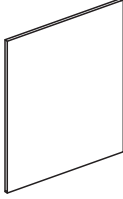
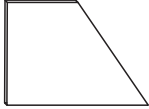
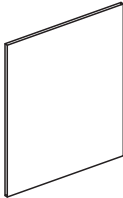
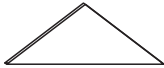
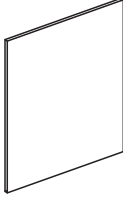
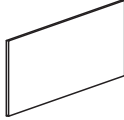
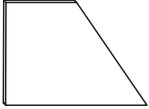
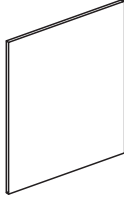
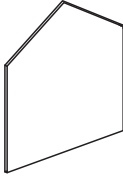

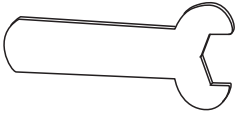
Plastic Parts:

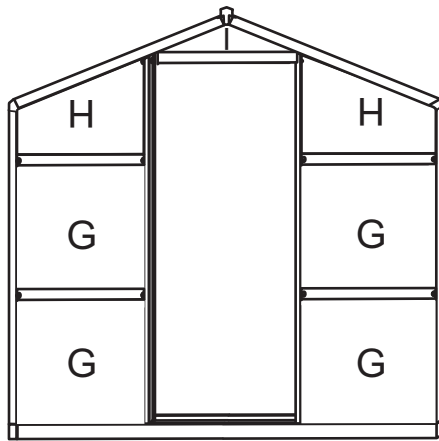
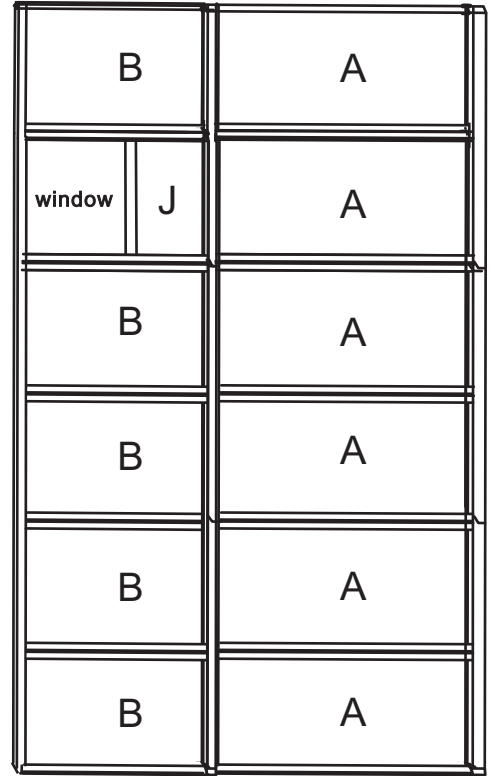
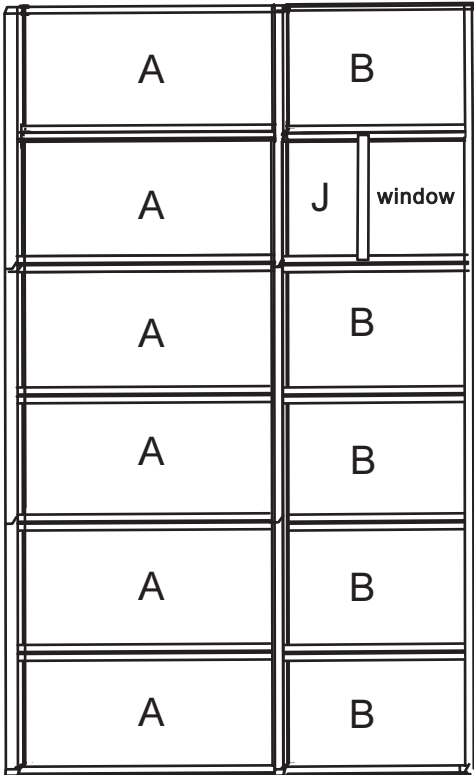
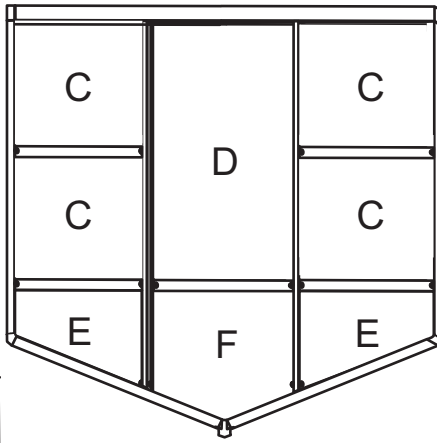
No.	Picture	Qty.	Size	No.	Picture	Qty.	Size
32		4		35A		2	
33A		2		35B		2	
33B		2		38		2	
34		2		39		2	

Hardware:

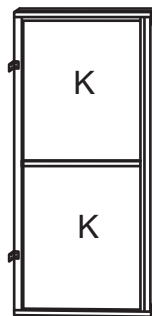
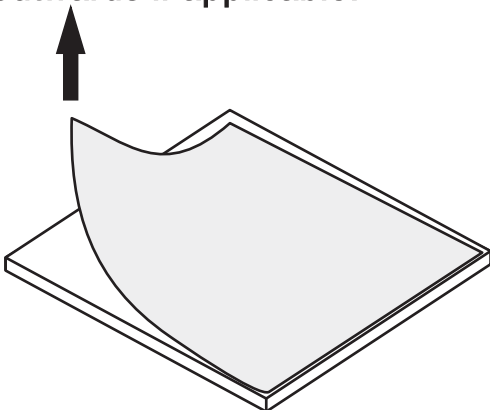
No.	Picture	Qty.	Size	No.	Picture	Qty.	Size
37	 	4	M6*7	46		7	26.6
41	  	58	M6*9	47		4	100
42	 	82	M6*12	48		2	
43	 	8	M4*8	49		2	
44	  	6	M6*26	50		1	
45	  	6	M6*35	51		2	

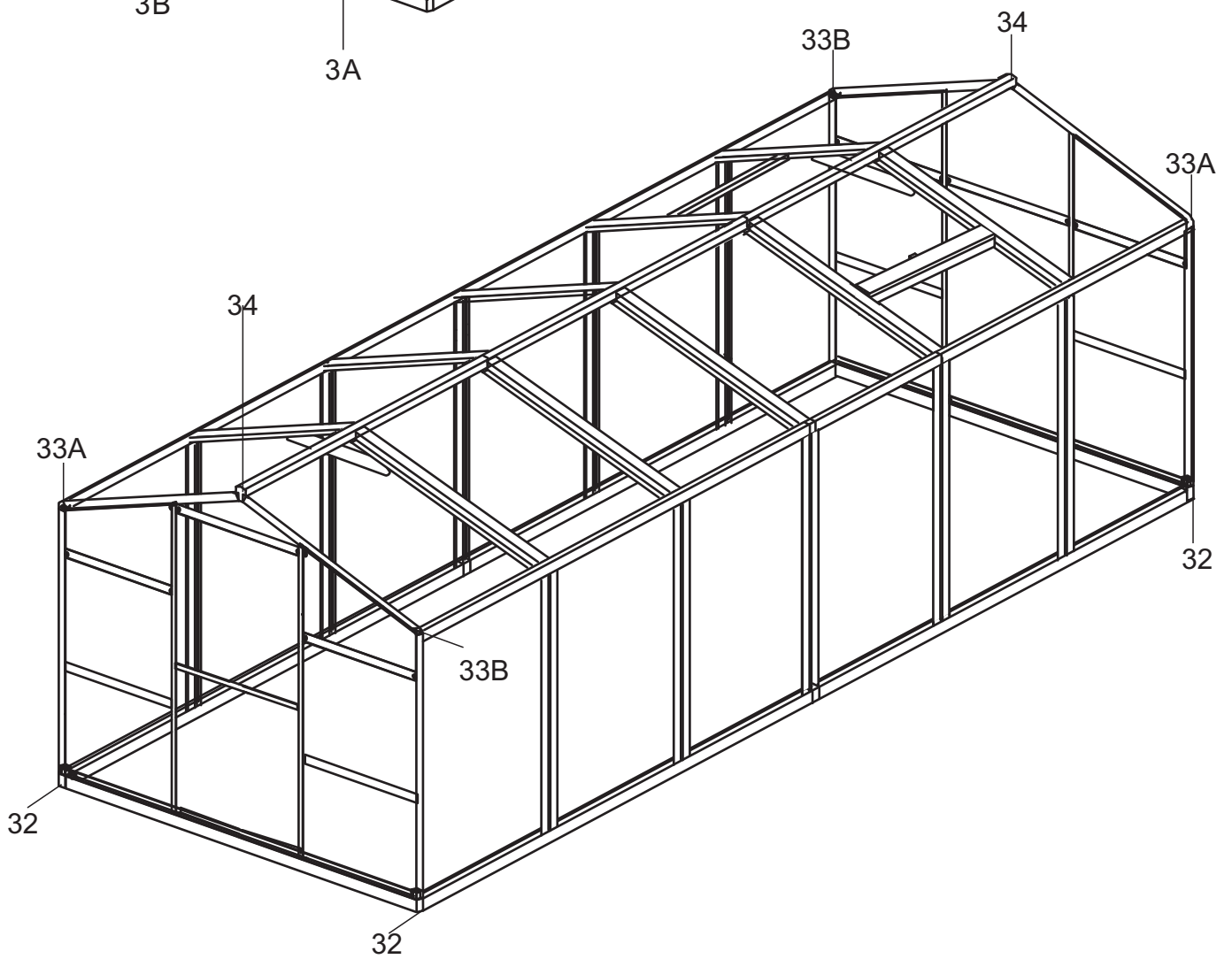
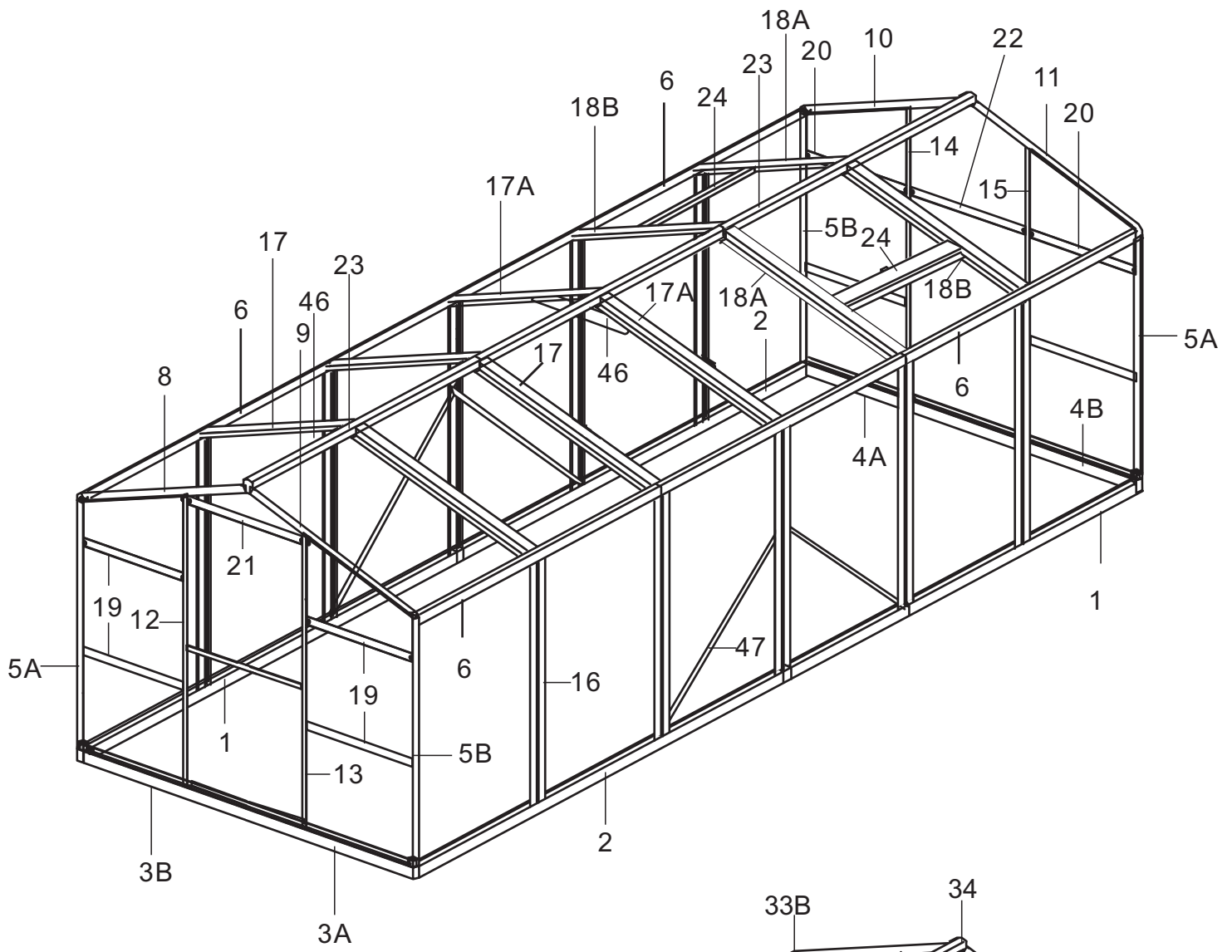
Twin PC Board:

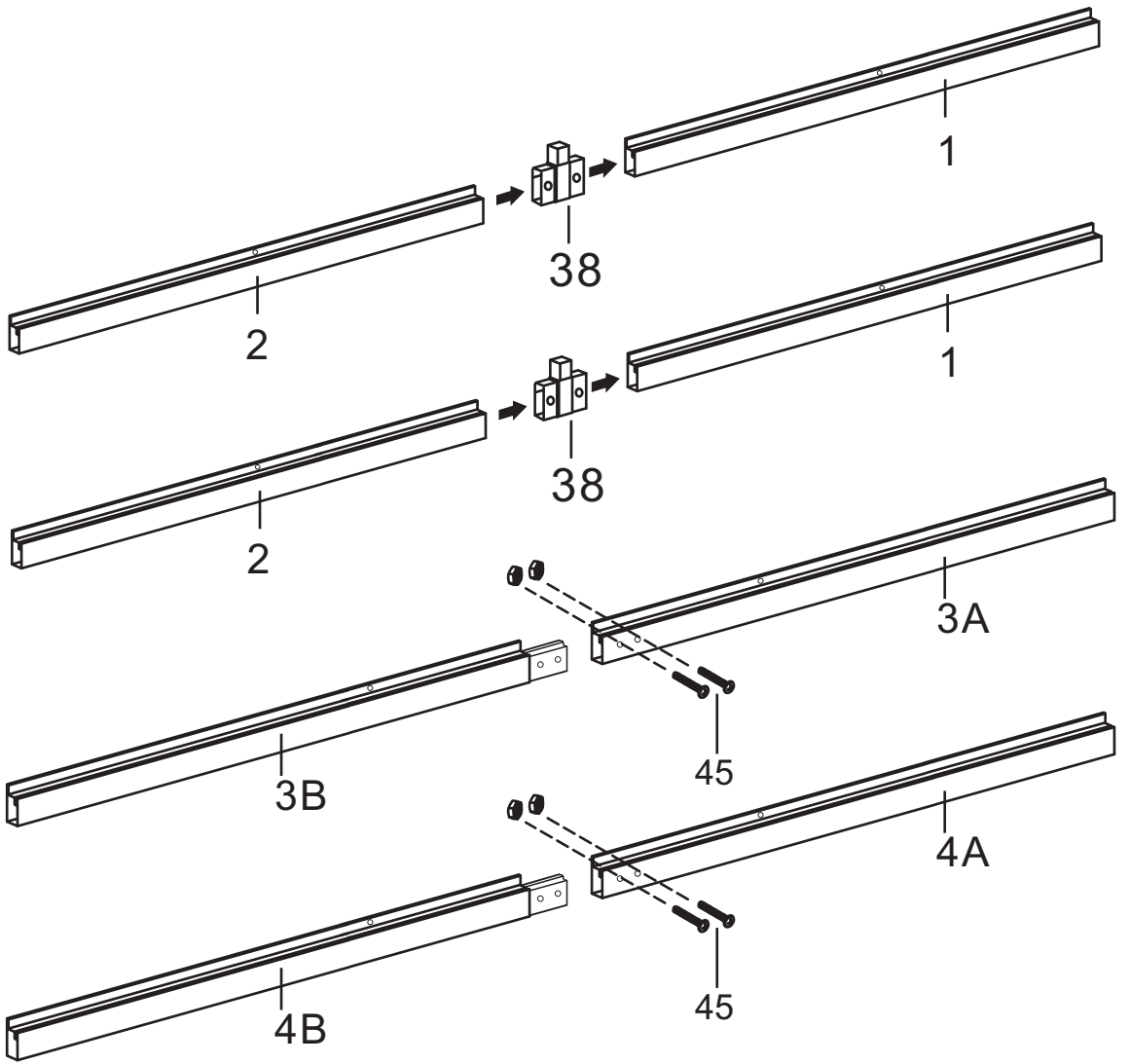
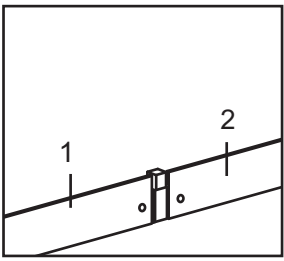
No.	Picture	Qty.	Size	No.	Picture	Qty.	Size
A		12	117*58.8	G		4	55.6*83.7
B		10	133.5*58.8	H		2	52.1*83.2
C		4	55.6*86.8	I		1	19.7*63
D		1	111.9*58.8	J		2	71.5*58.8
E		2	53.2*86.5	K		2	78*57.9
F		1	70.5*58.8	 			



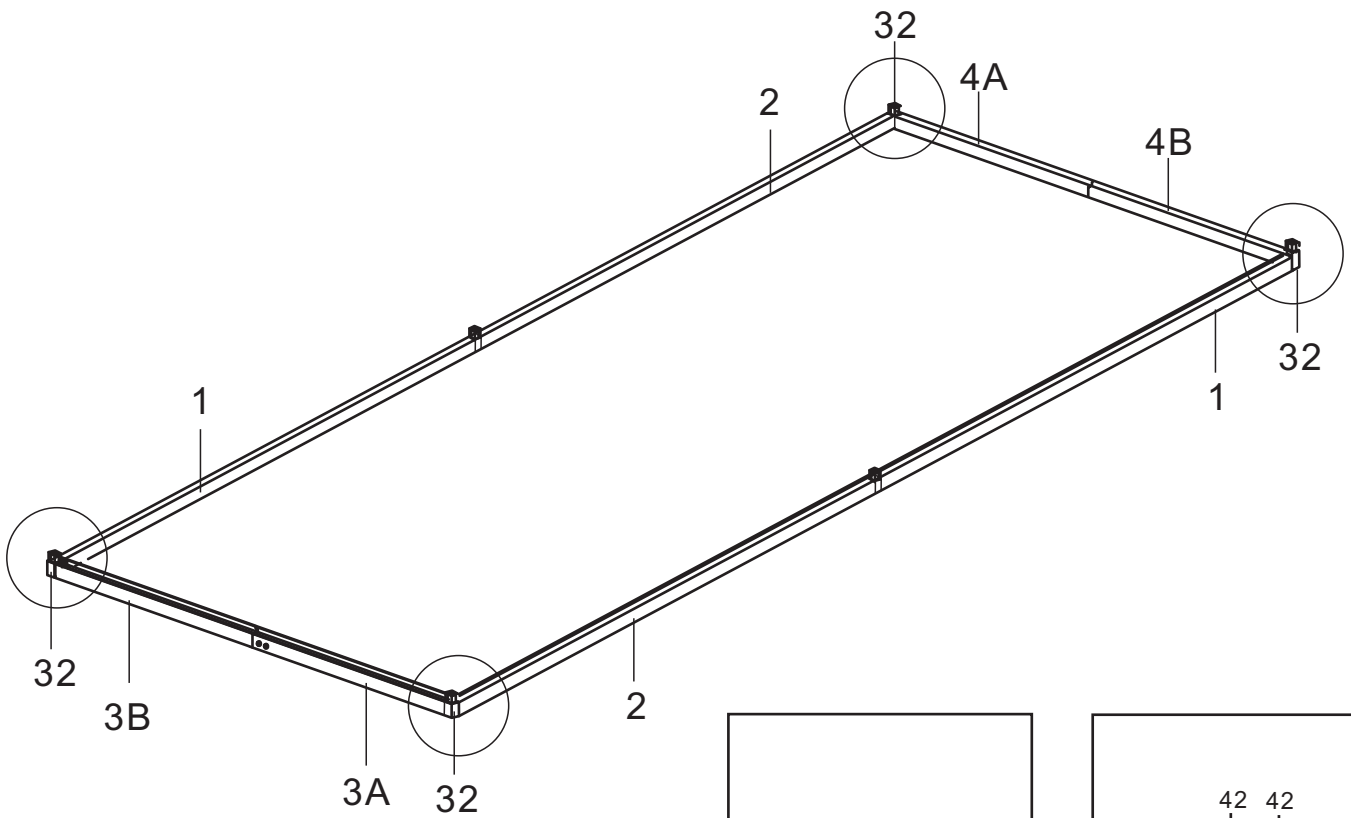
The white film faces outwards if applicable.



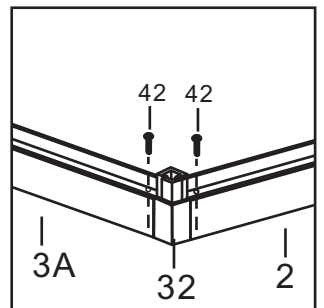
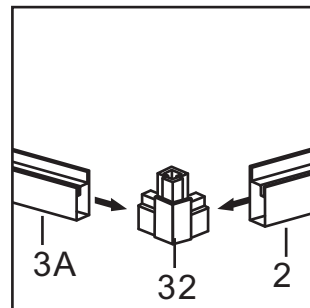


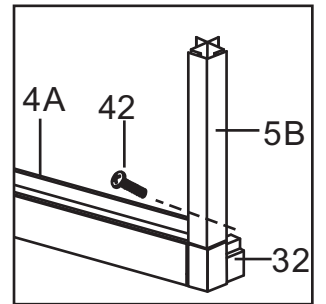
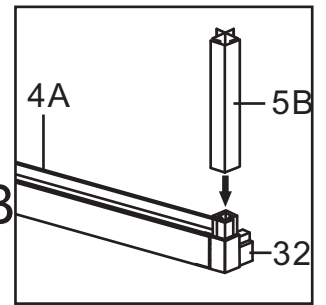
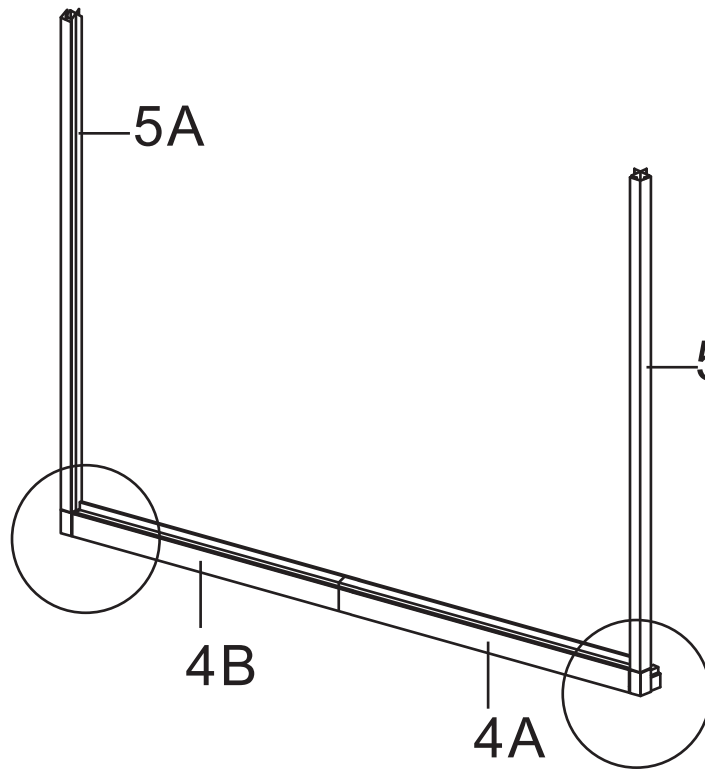
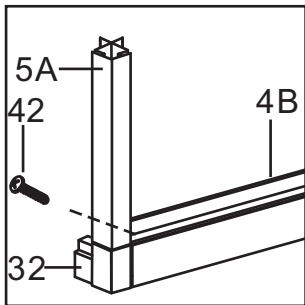
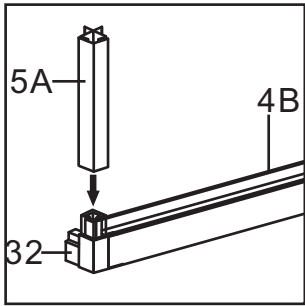
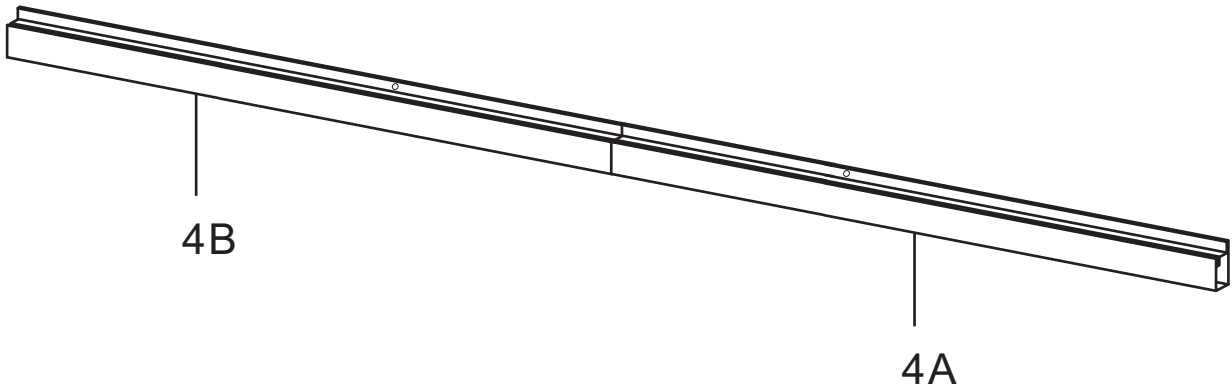


Picture	NO.	Qty.
	1	2
	2	2
	3A	1
	3B	1
	4A	1
	4B	1
	38	2
	45	4

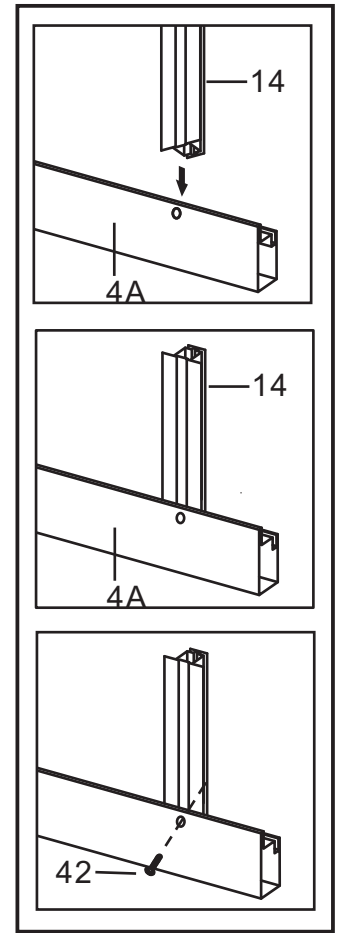
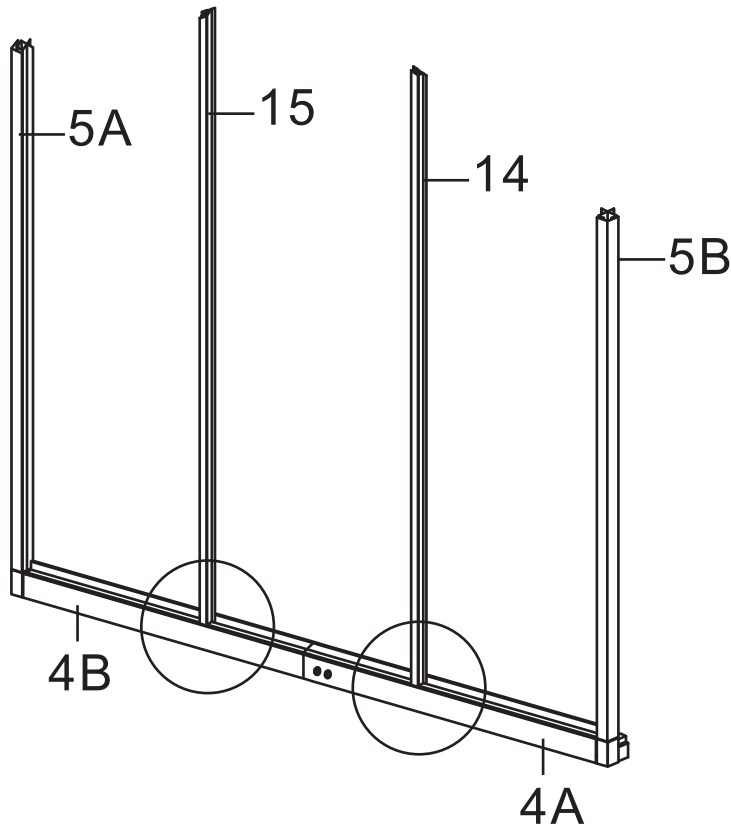


Picture	NO.	Qty.
	32	4
	42	8

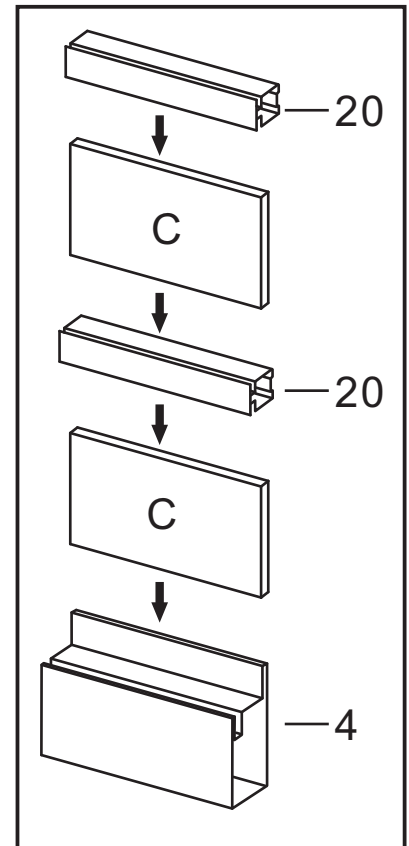
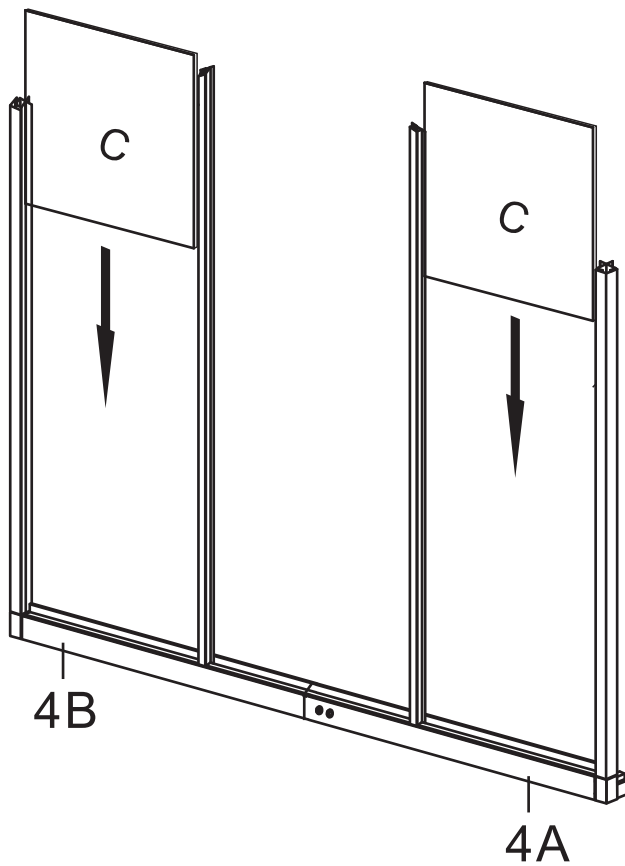




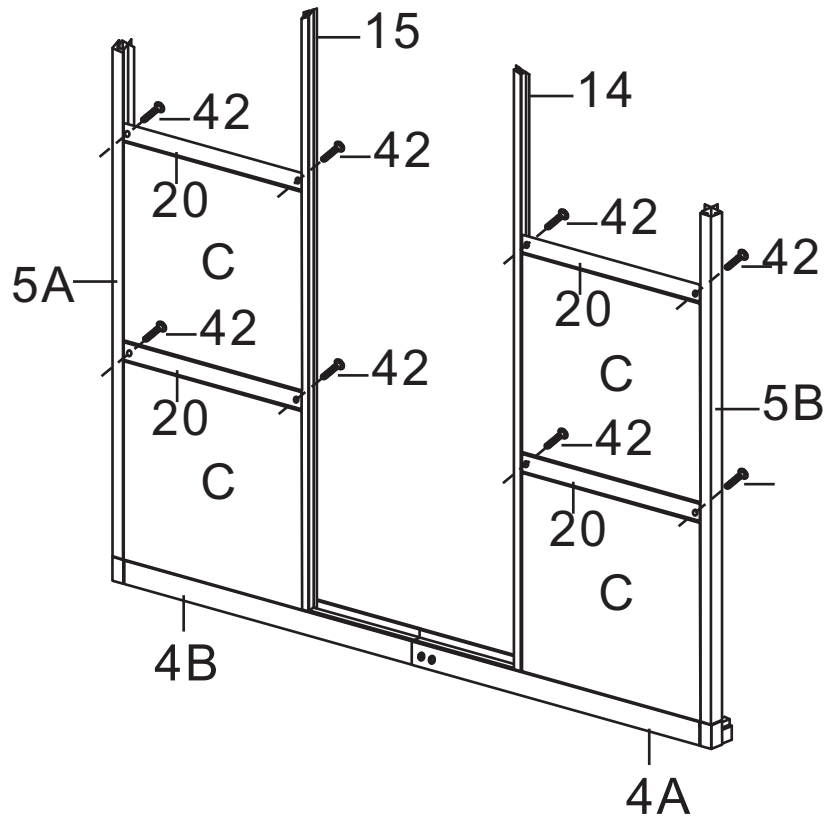
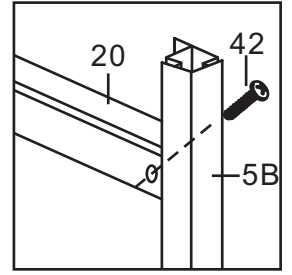
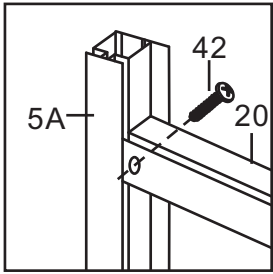
Picture	NO.	Qty.
	5A	1
	5B	1
	42	2



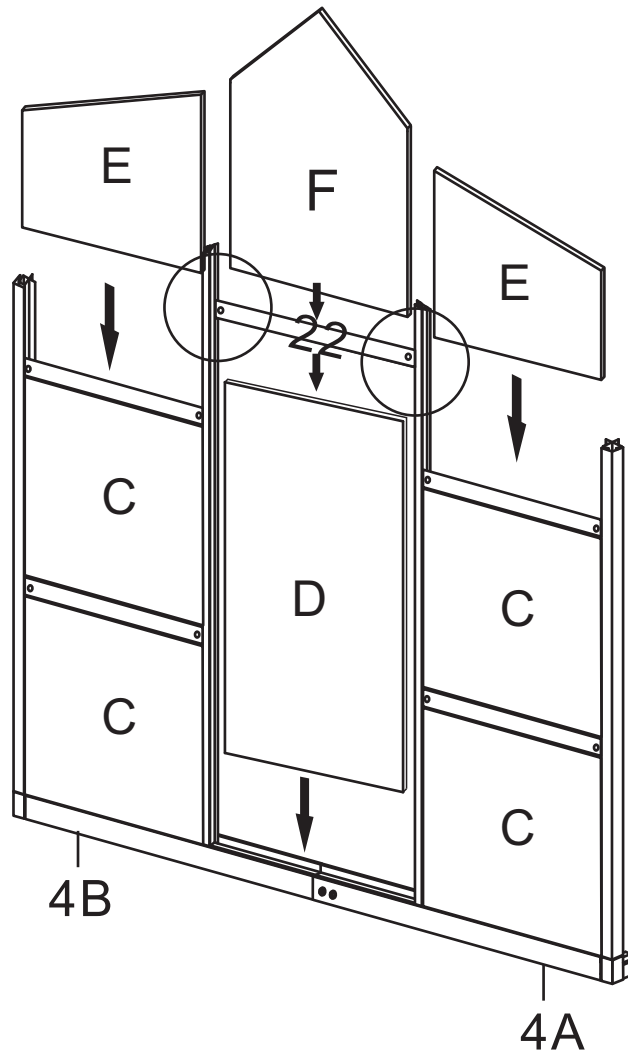
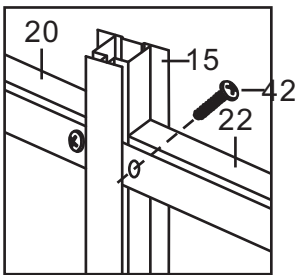
Picture	NO.	Qty.
	14	1
	15	
	42	2



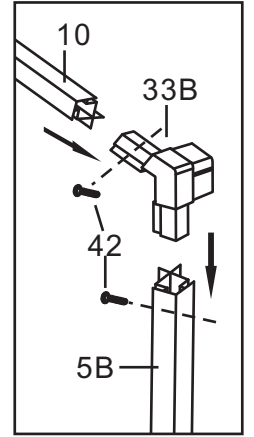
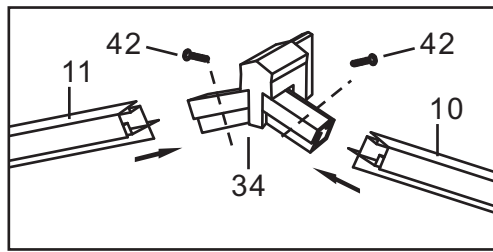
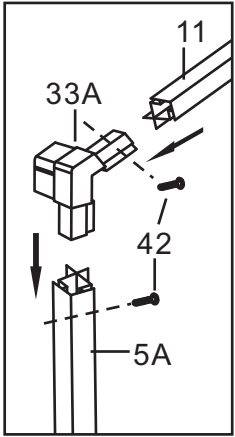
Picture	NO.	Qty.
	C	4
	20	4



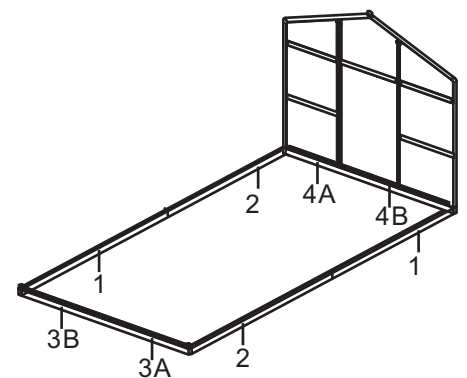
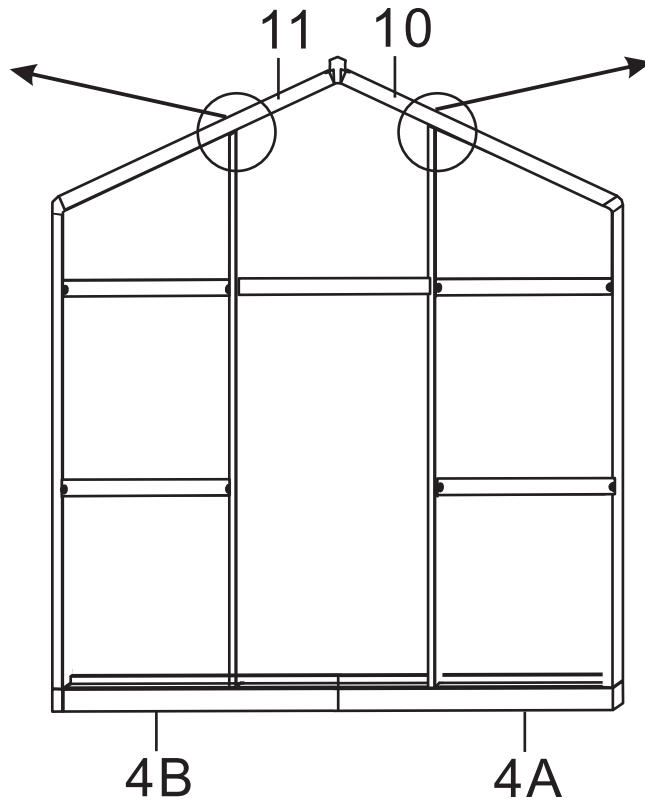
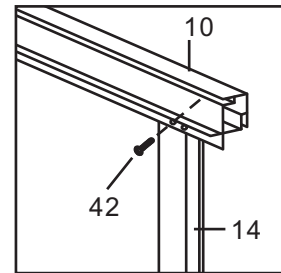
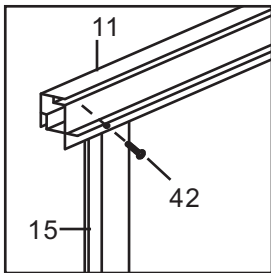
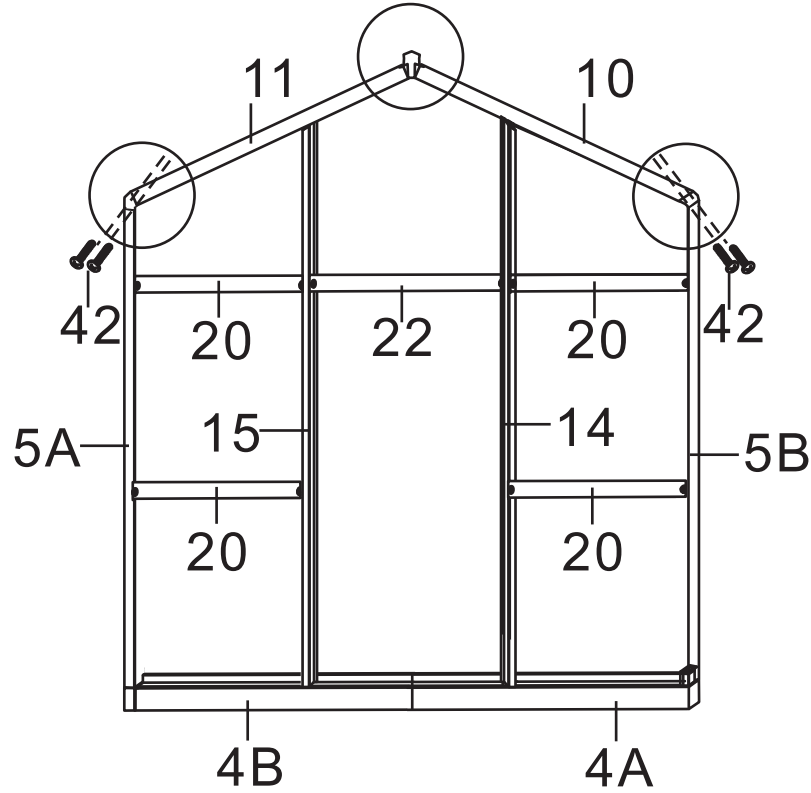
Picture	NO.	Qty.
	42	8



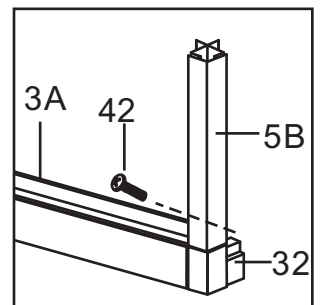
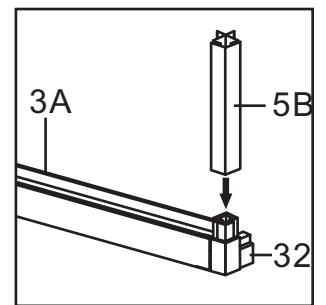
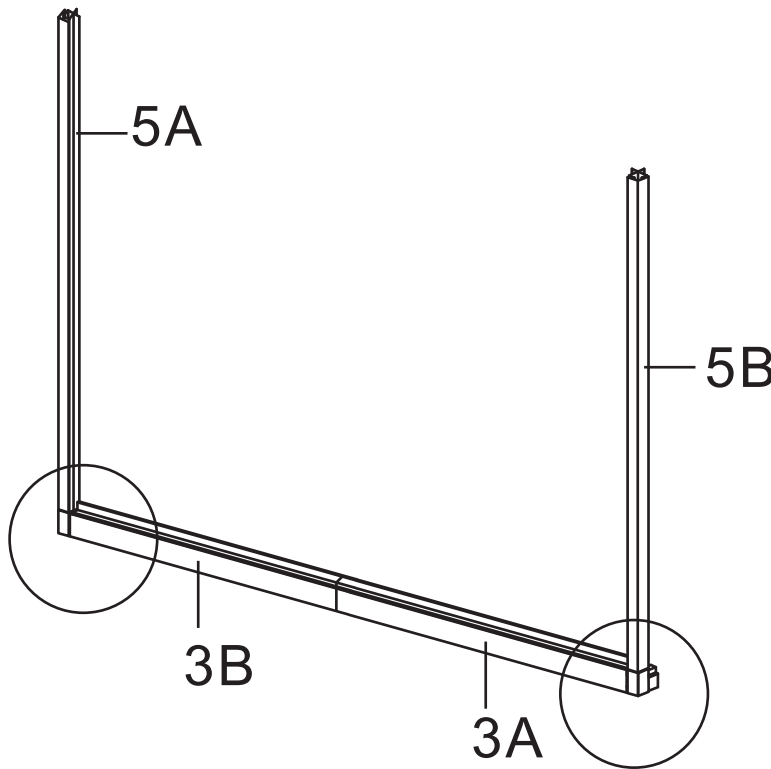
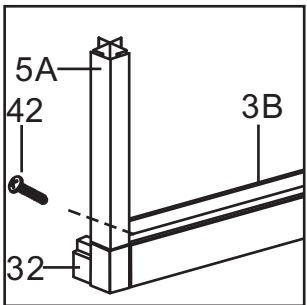
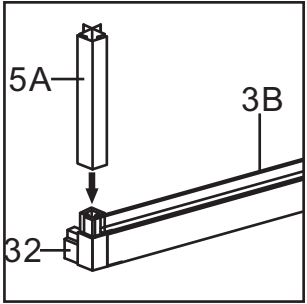
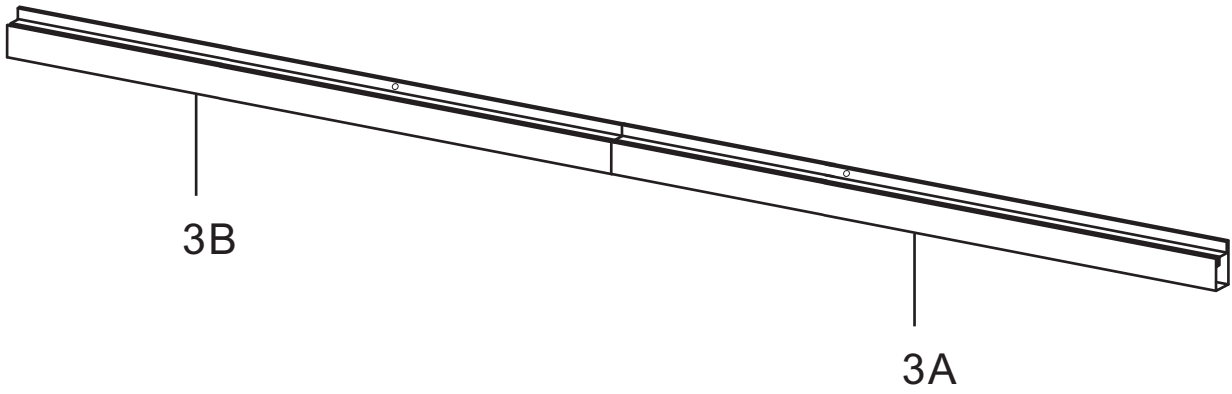
Picture	NO.	Qty.
	D	1
	F	1
	E	2
	22	1
	42	2



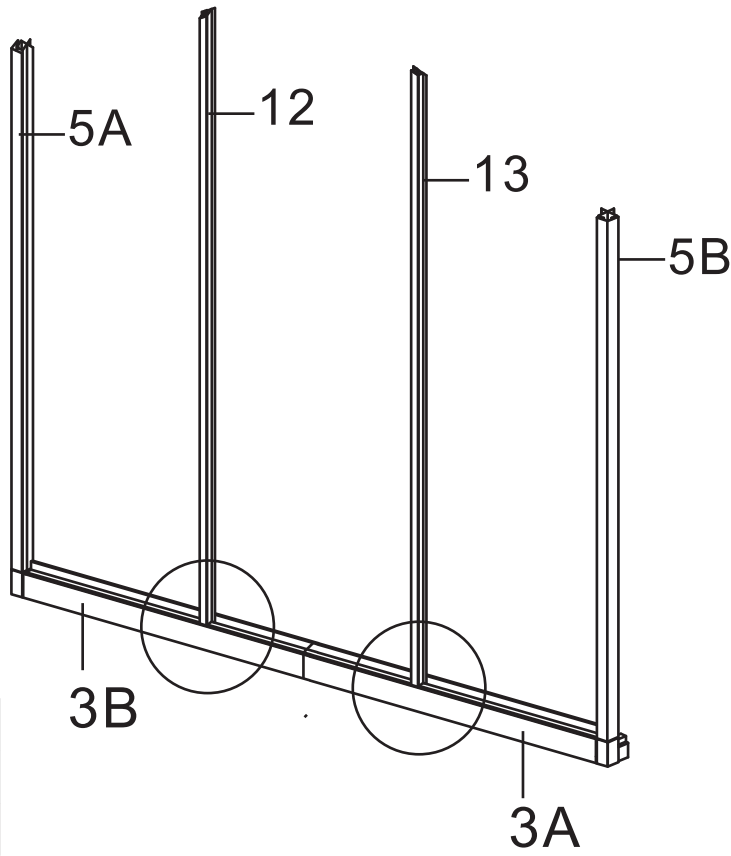
Picture	NO.	Qty.
	10	1
	11	1
	34	1
	33A	1
	33B	1
	42	6



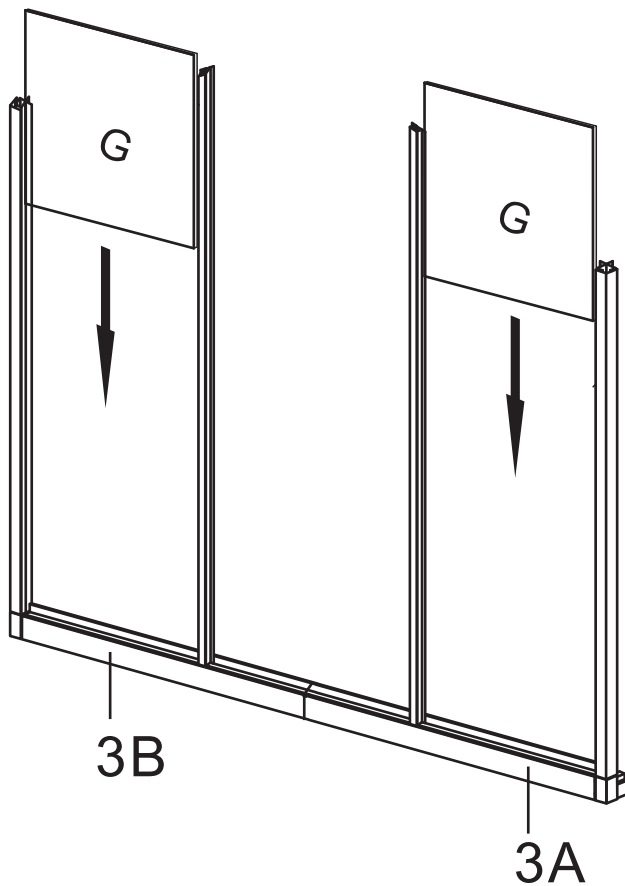
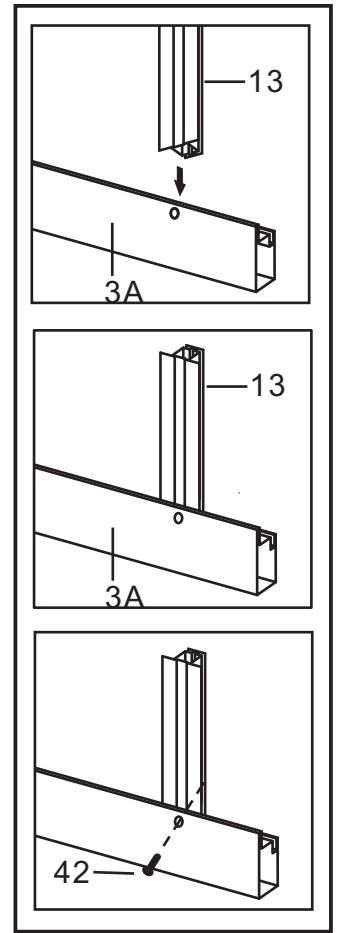
Picture	NO.	Qty.
	42	2



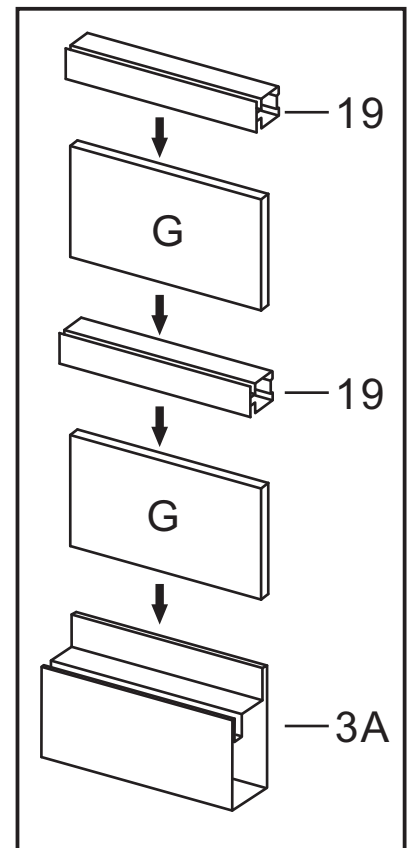
Picture	NO.	Qty.
	5A	1
	5B	1
	42	2

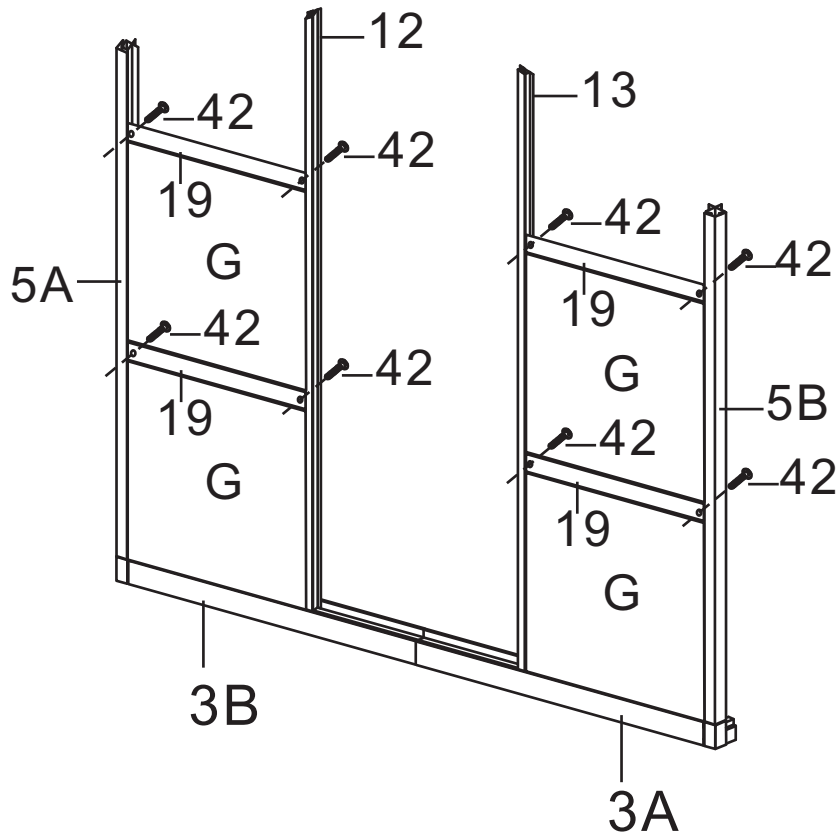
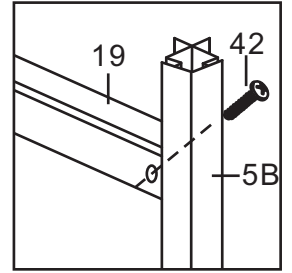
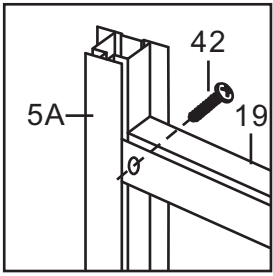



Picture	NO.	Qty.
	12	1
	13	1
	42	2

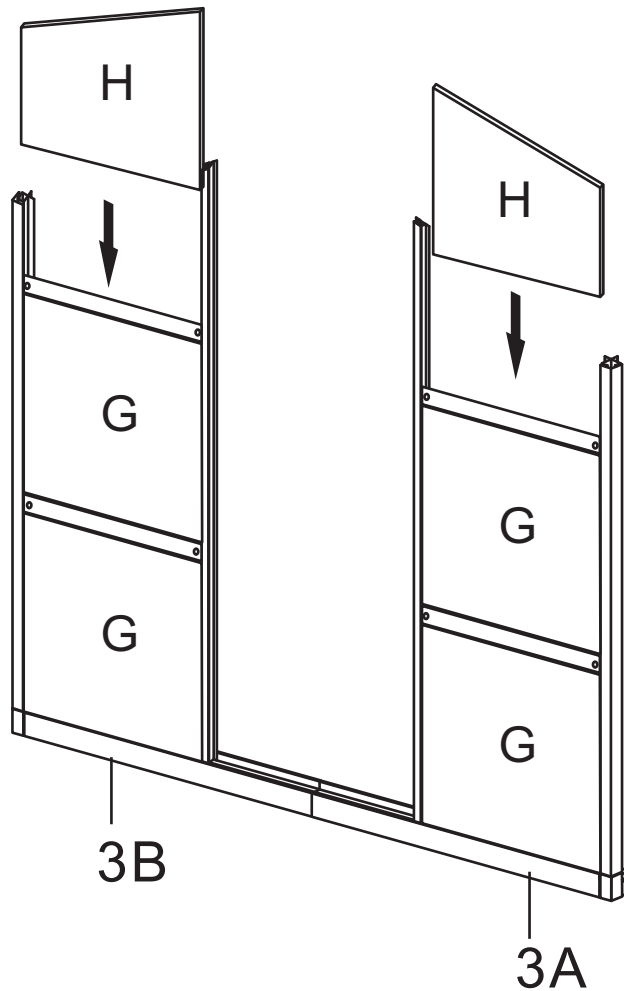



Picture	NO.	Qty.
	G	2
	19	2

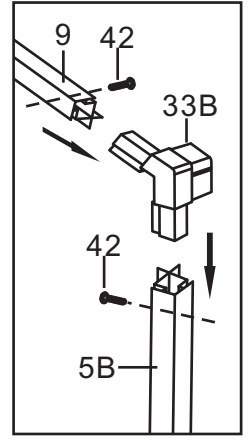
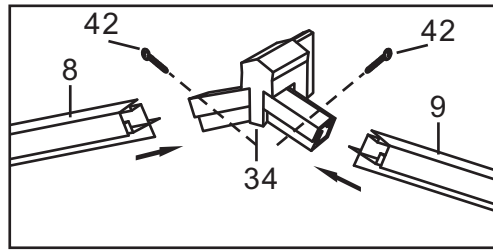
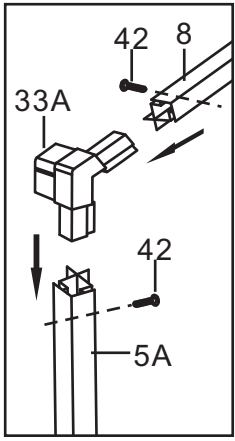




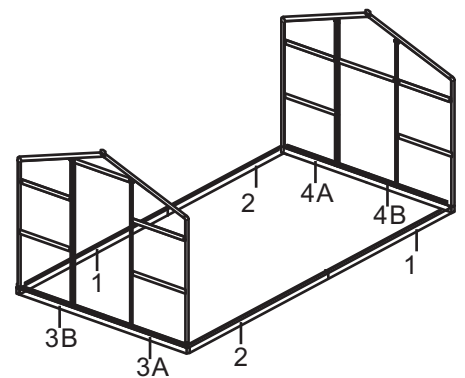
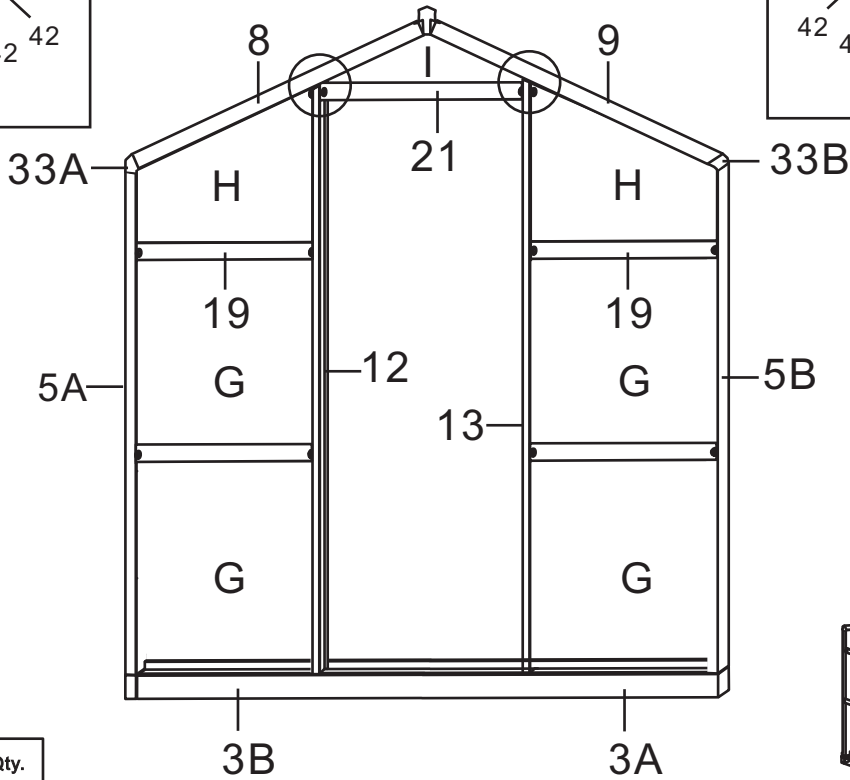
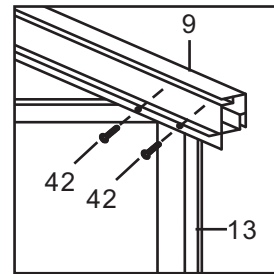
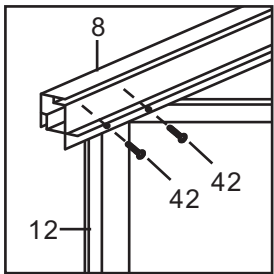
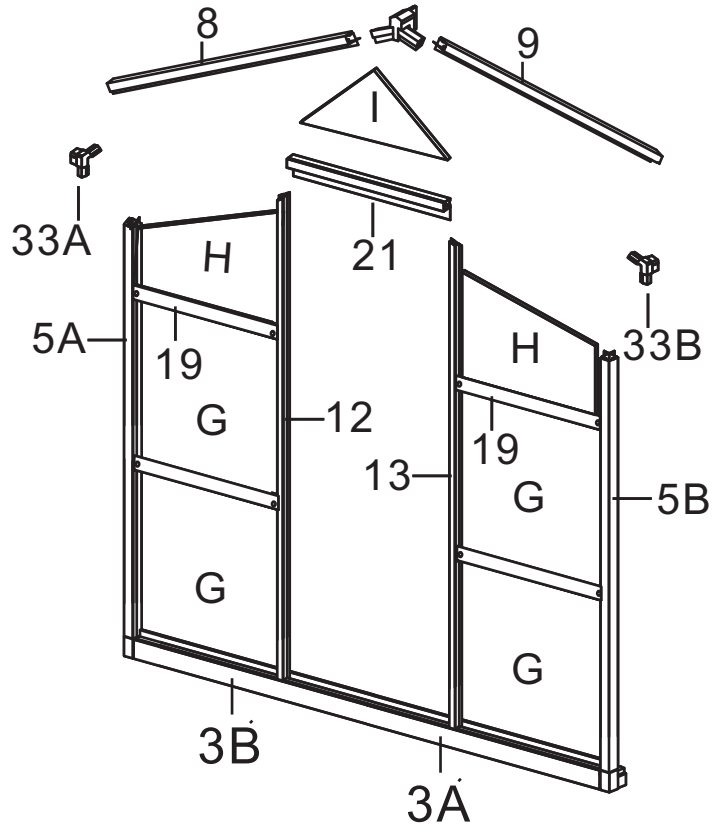
Picture	NO.	Qty.
	42	8



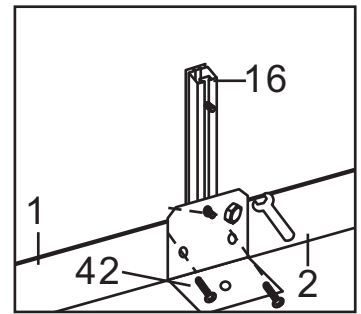
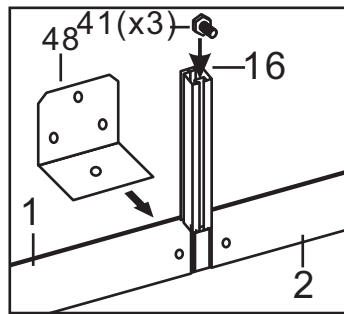
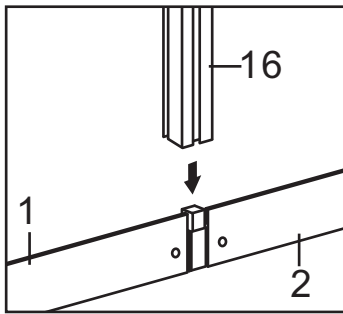
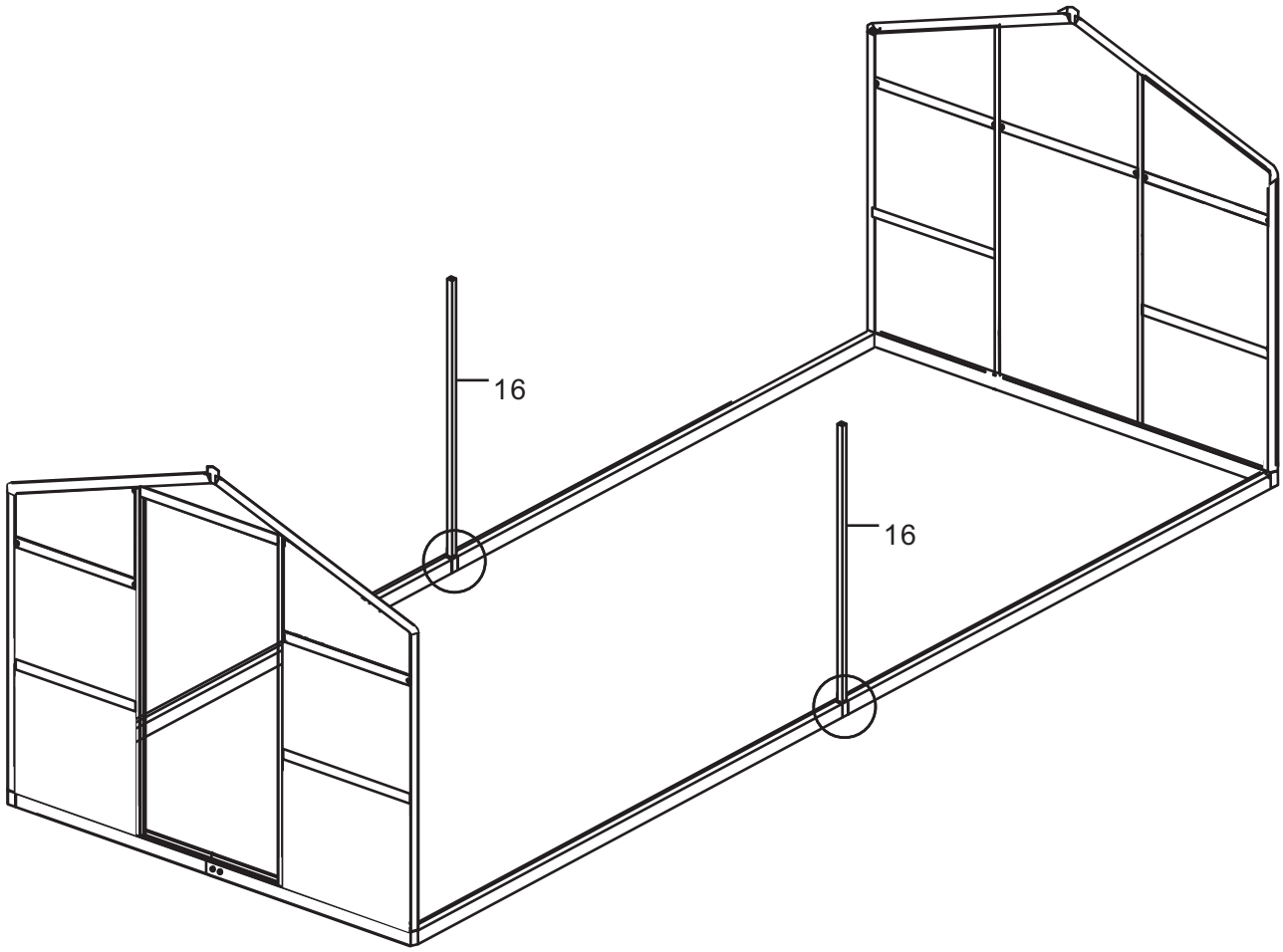
Picture	NO.	Qty.
	H	2



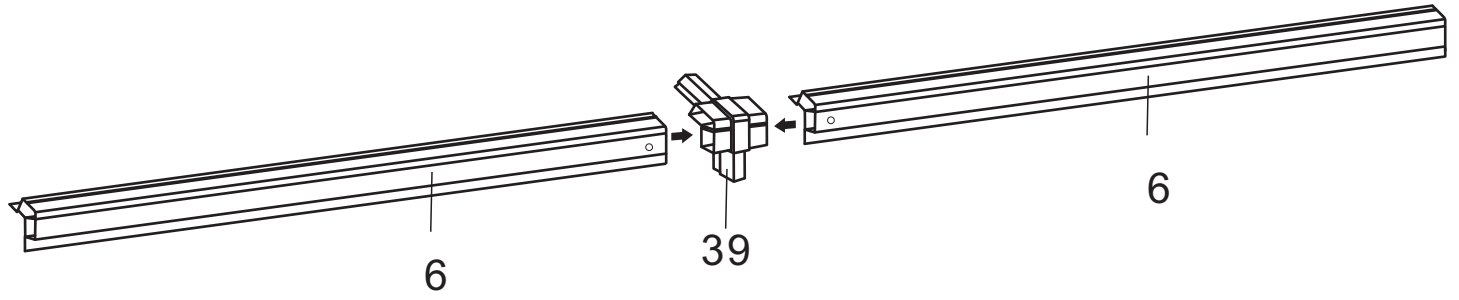
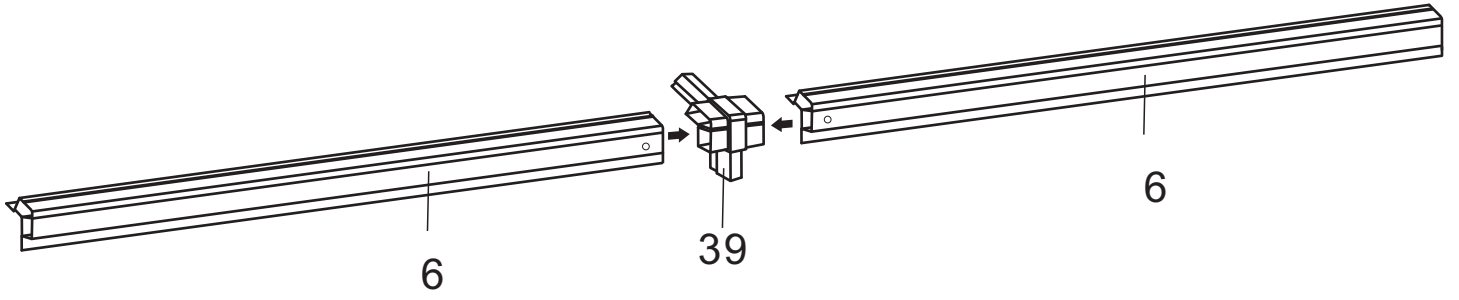
Picture	NO.	Qty.
	8	1
	9	1
	21	1
	33A	1
	33B	1
	34	1
	42	6
	I	1



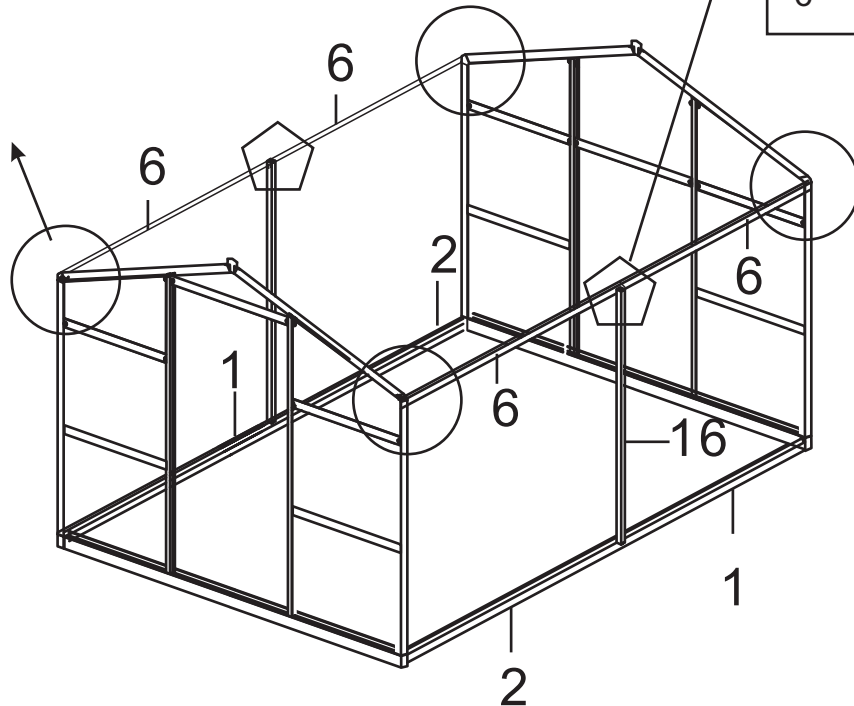
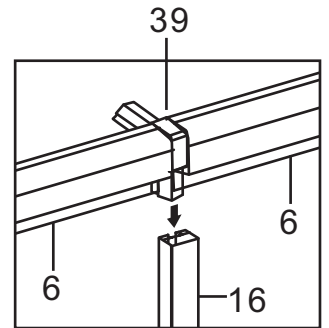
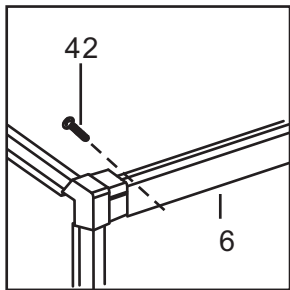
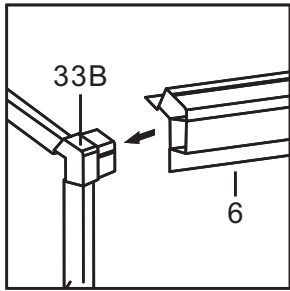
Picture	NO.	Qty.
	42	4



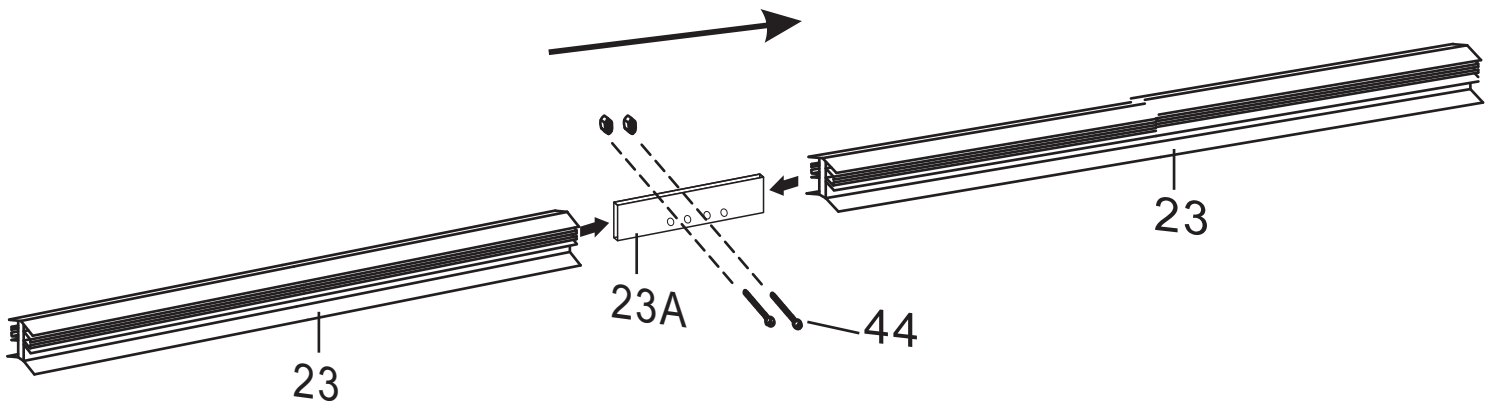
Picture	NO.	Qty.
	16	2
	41	6
	42	4
	48	2



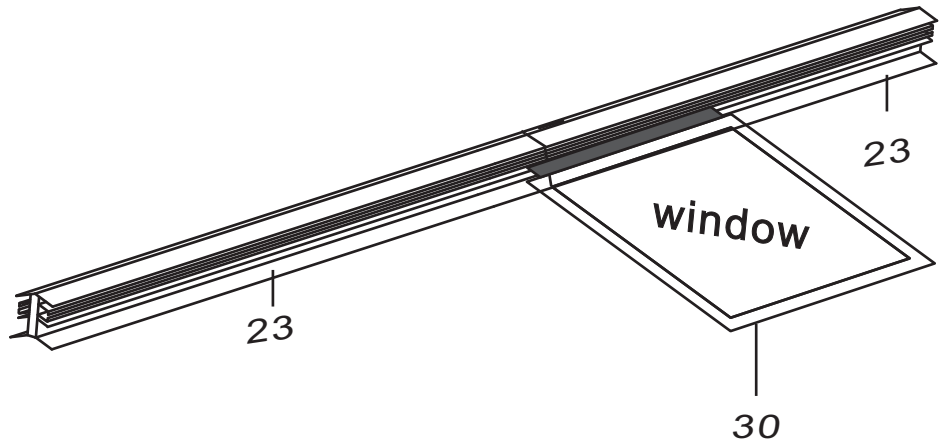
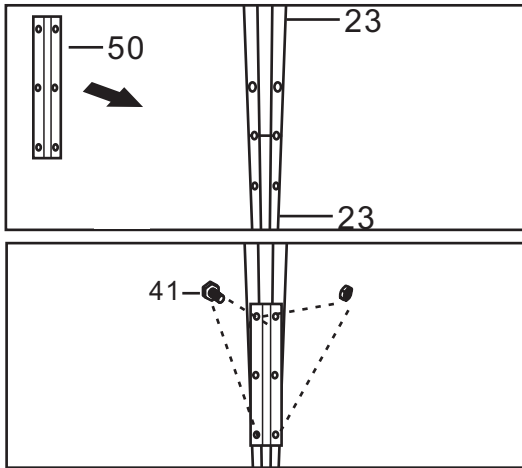
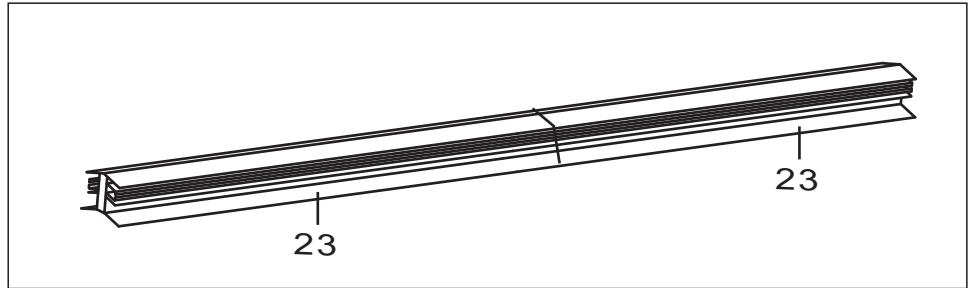
Picture	NO.	Qty.
	6	4
	39	2



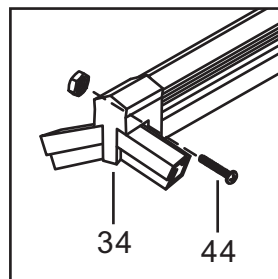
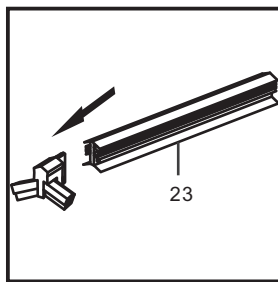
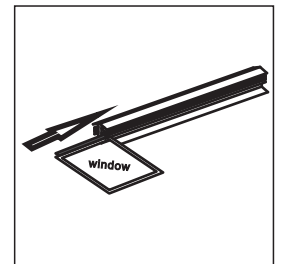
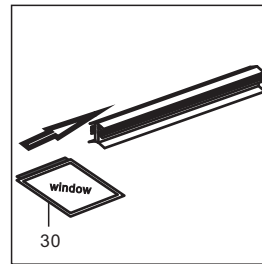
Picture	NO.	Qty.
	42	4



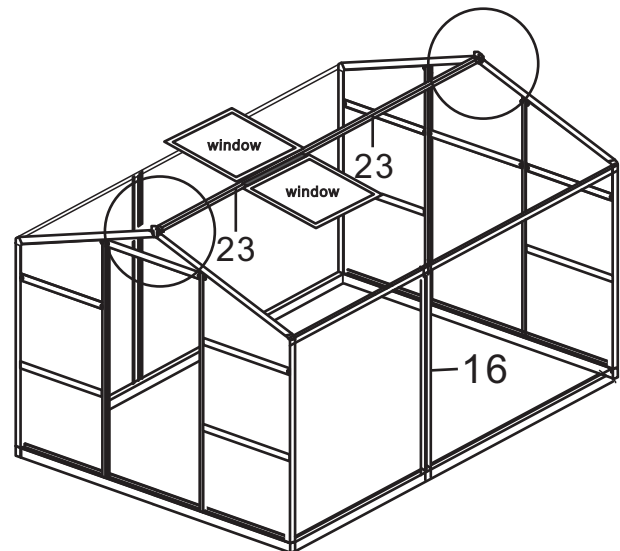
Picture	NO.	Qty.
	23	2
	23A	1
	44	4

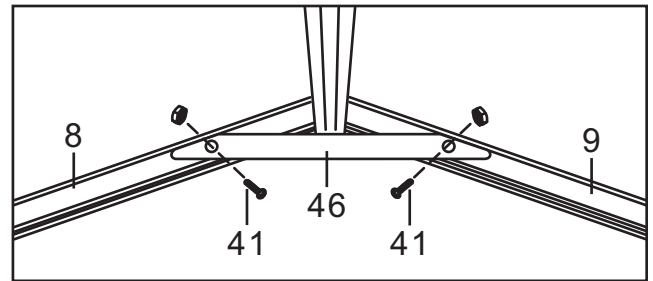
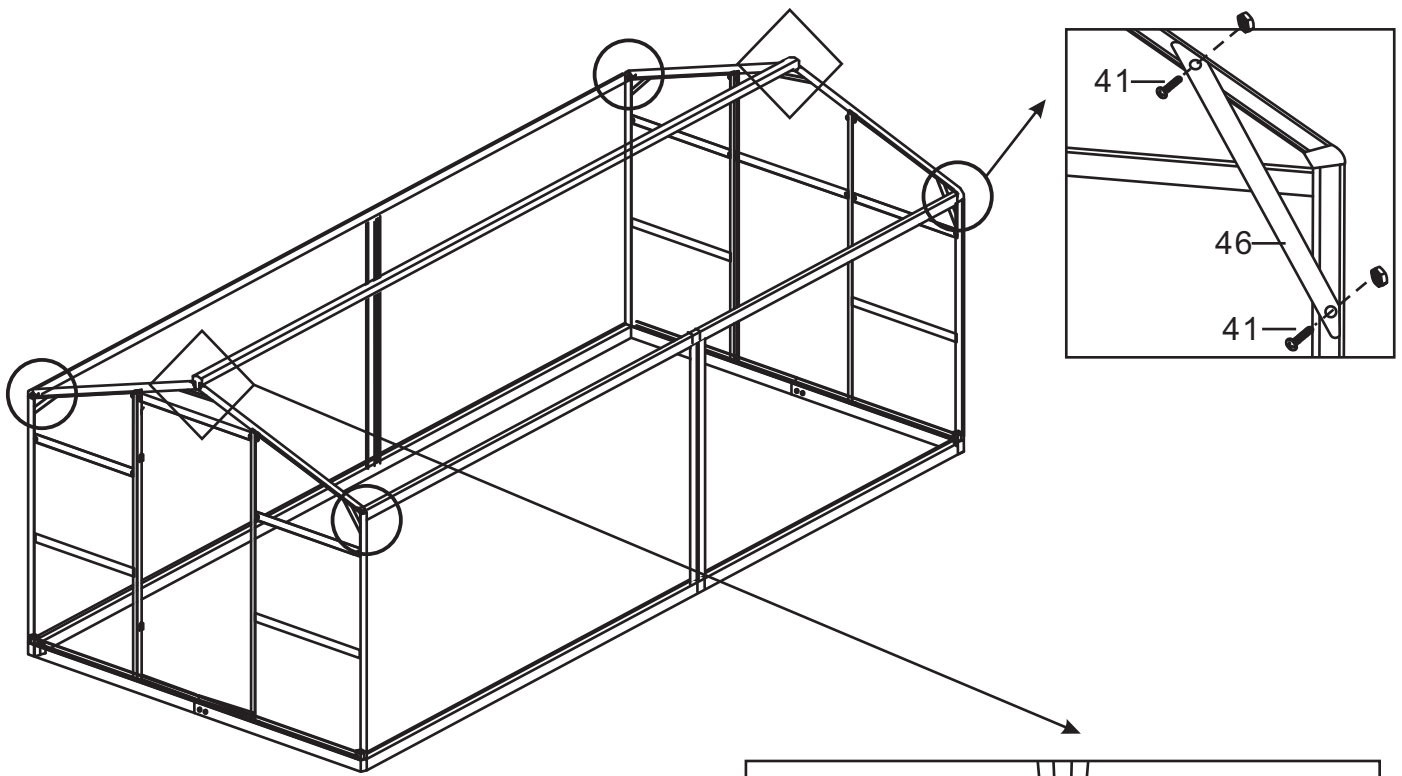




Picture	NO.	Qty.
	30	2
	50	1
	41	4

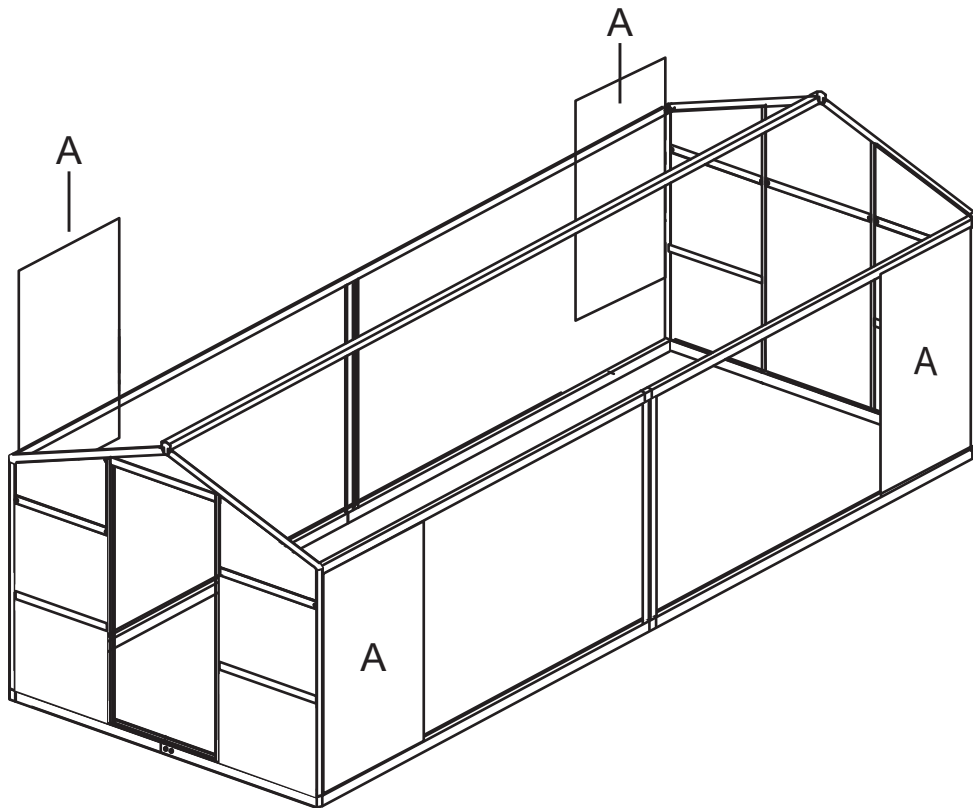



Picture	NO.	Qty.
	44	2

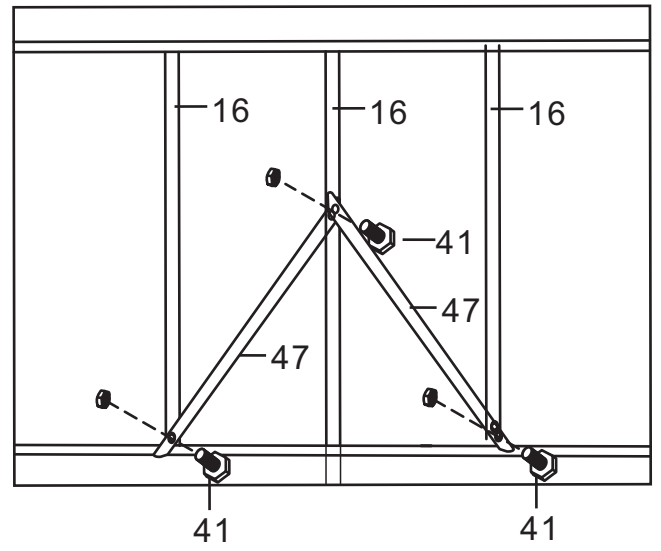
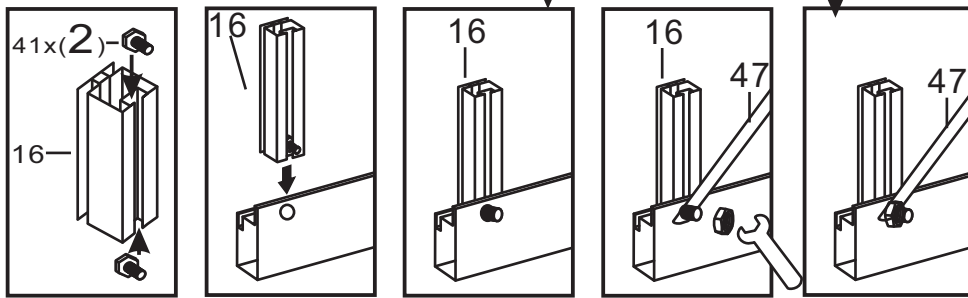
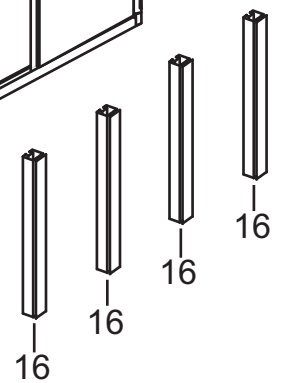
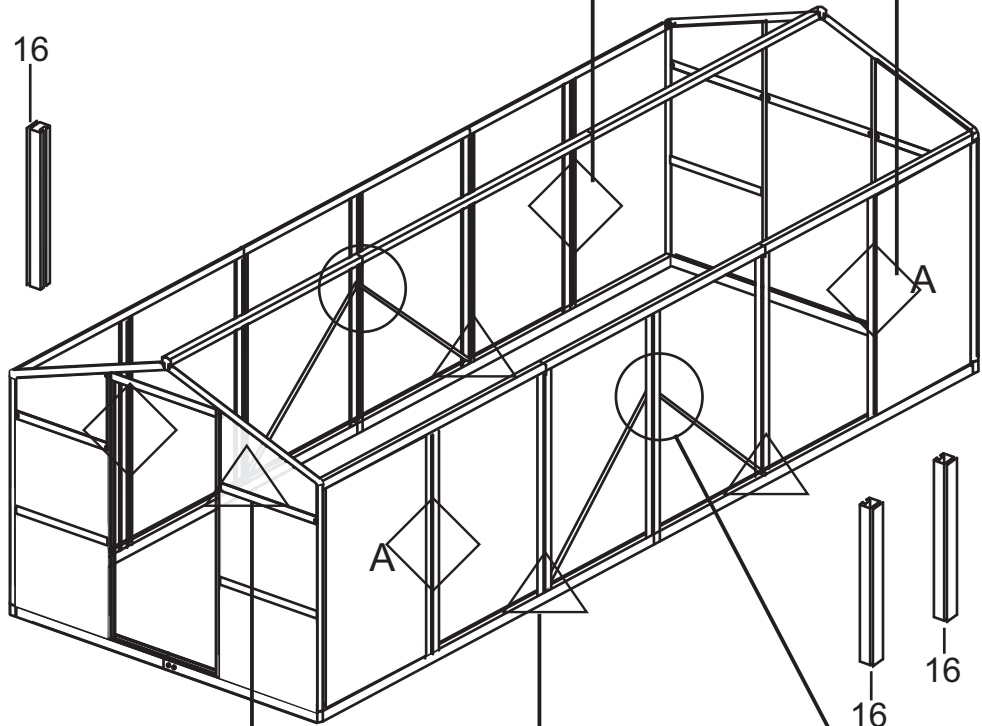
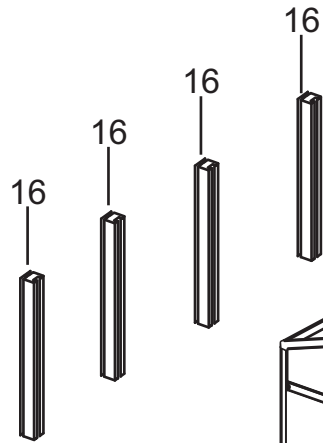
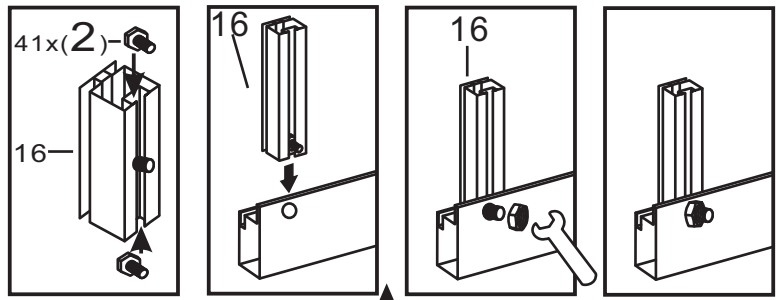




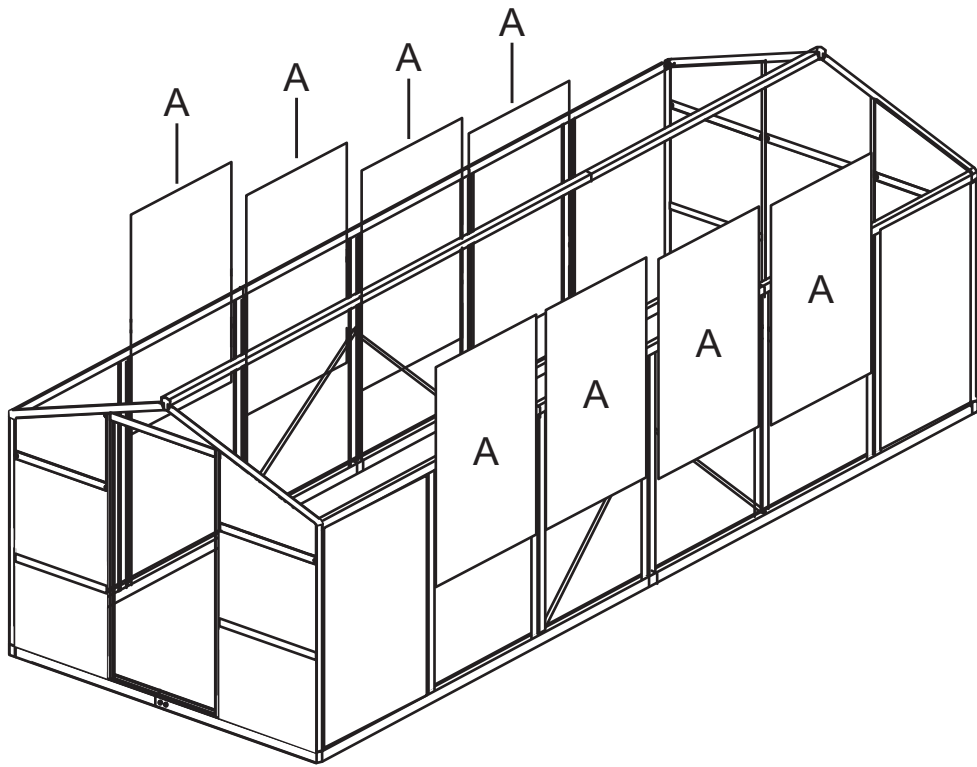
Picture	NO.	Qty.
	41	12
	46	6




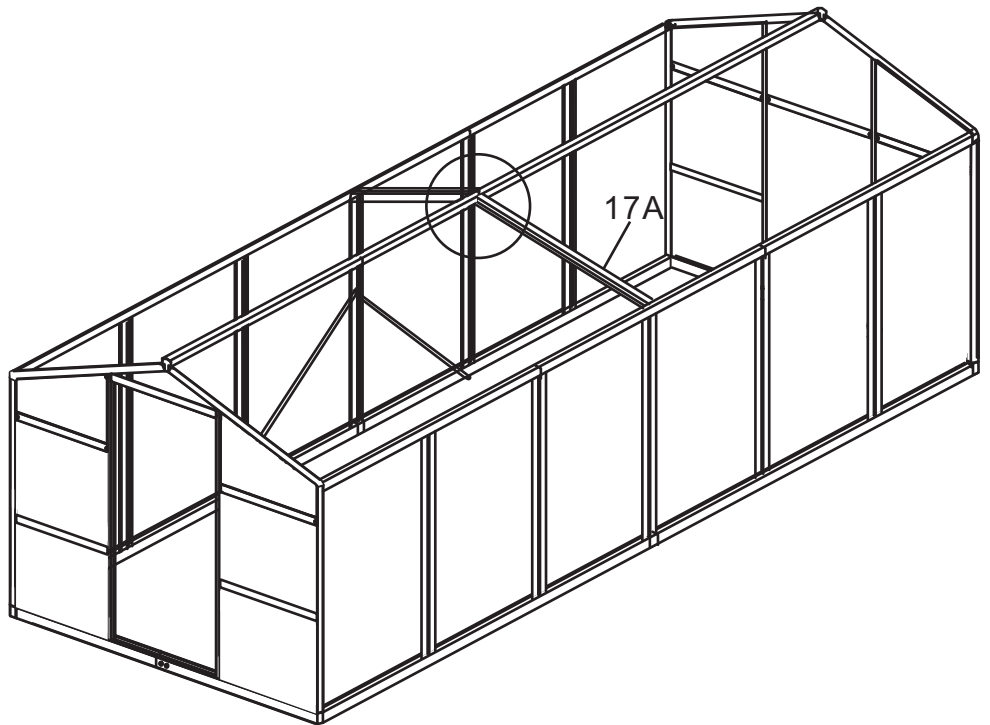
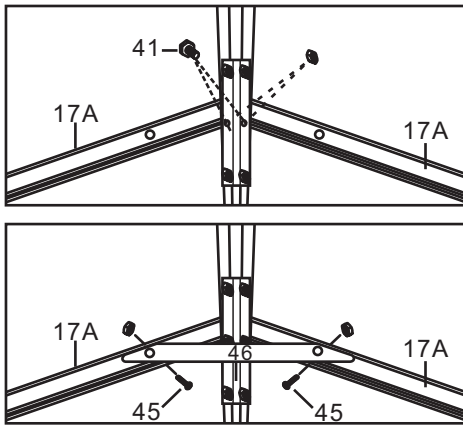
Picture	NO.	Qty.
	A	4









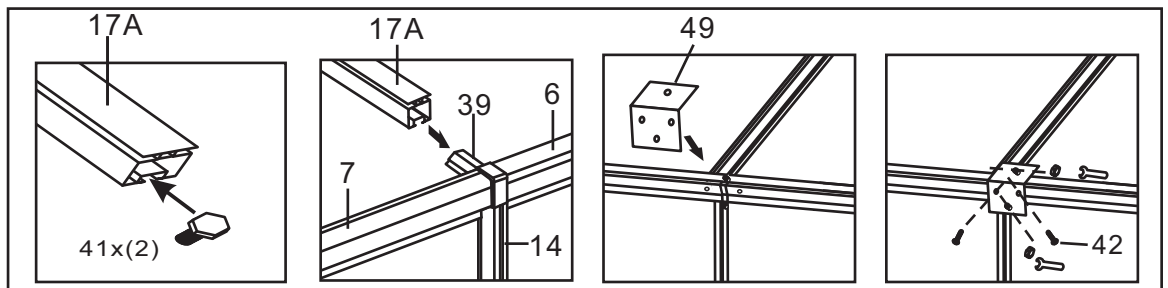
Picture	NO.	Qty.
	16	8
	41	16
	47	4

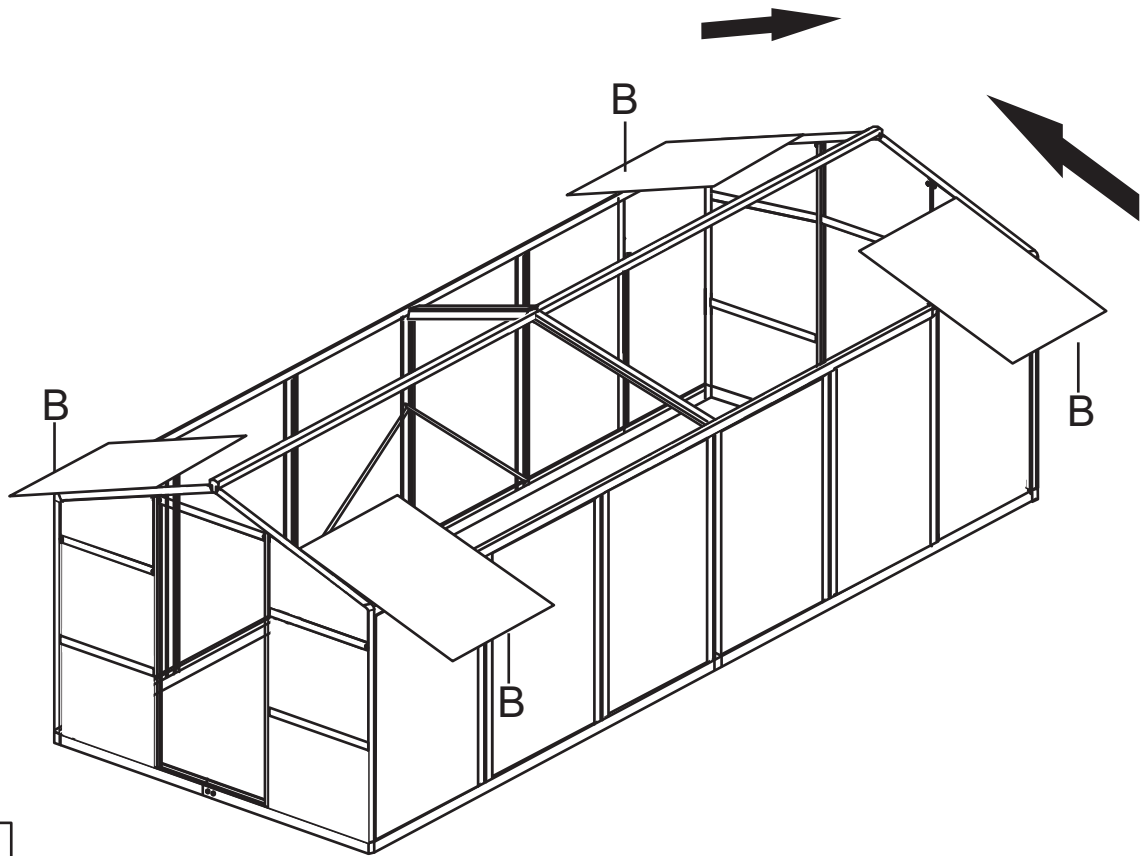



Picture	NO.	Qty.
	A	8

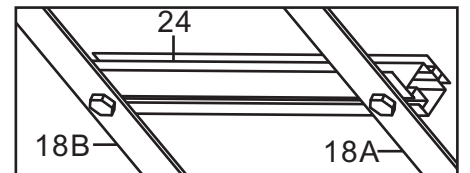
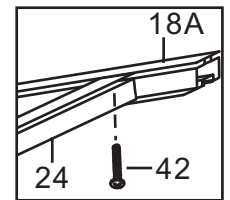
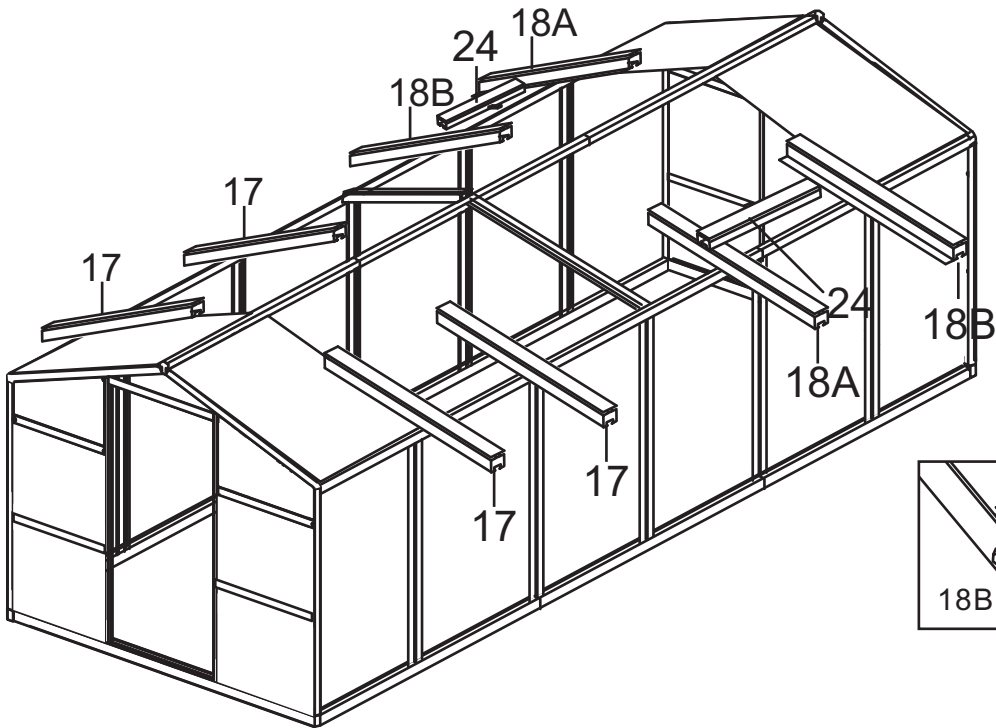








Picture	NO.	Qty.
	17A	2
	41	4
	42	4
	45	2
	46	1
	49	2

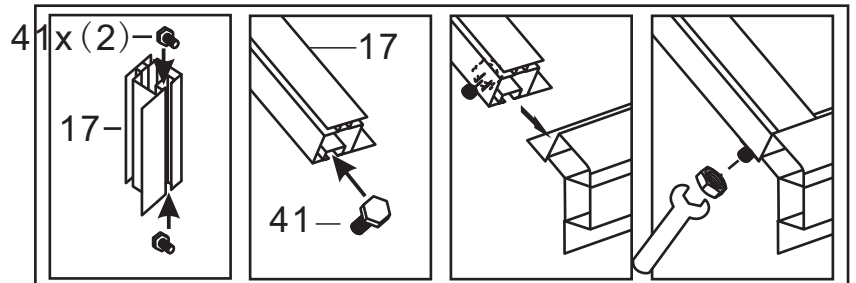


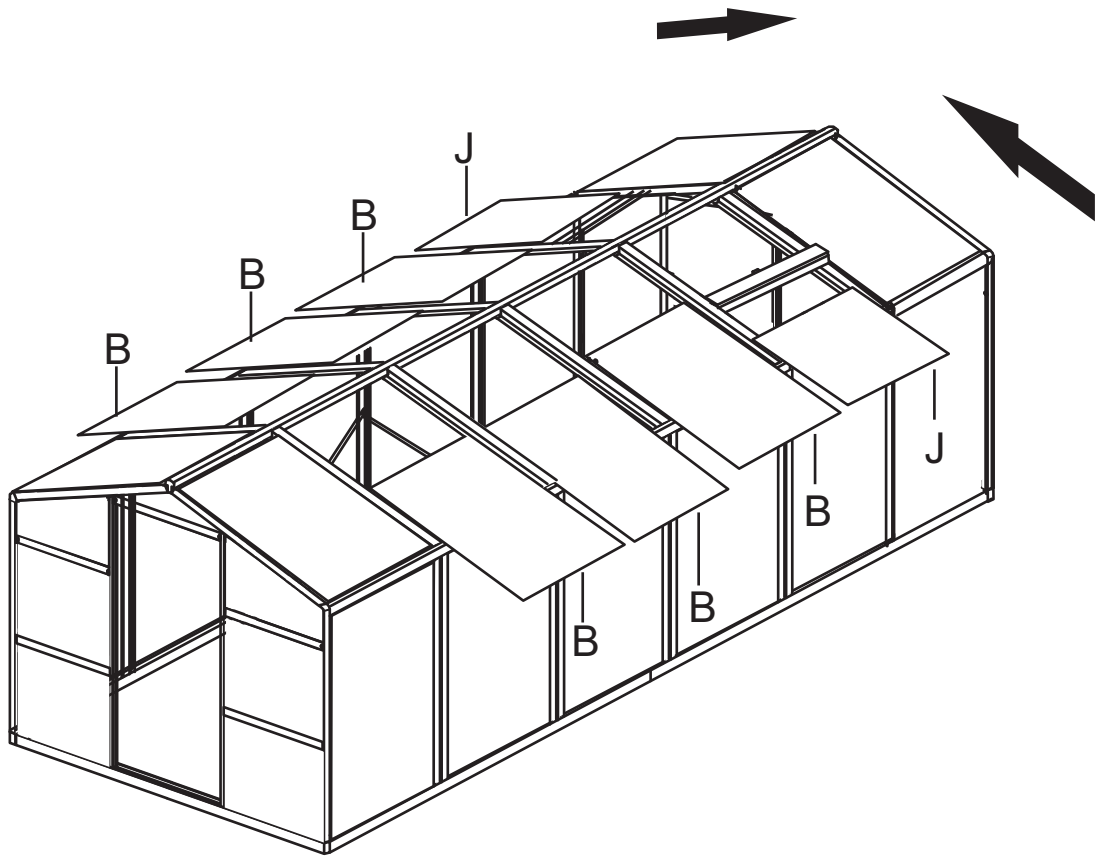


Picture	NO.	Qty.
	B	4

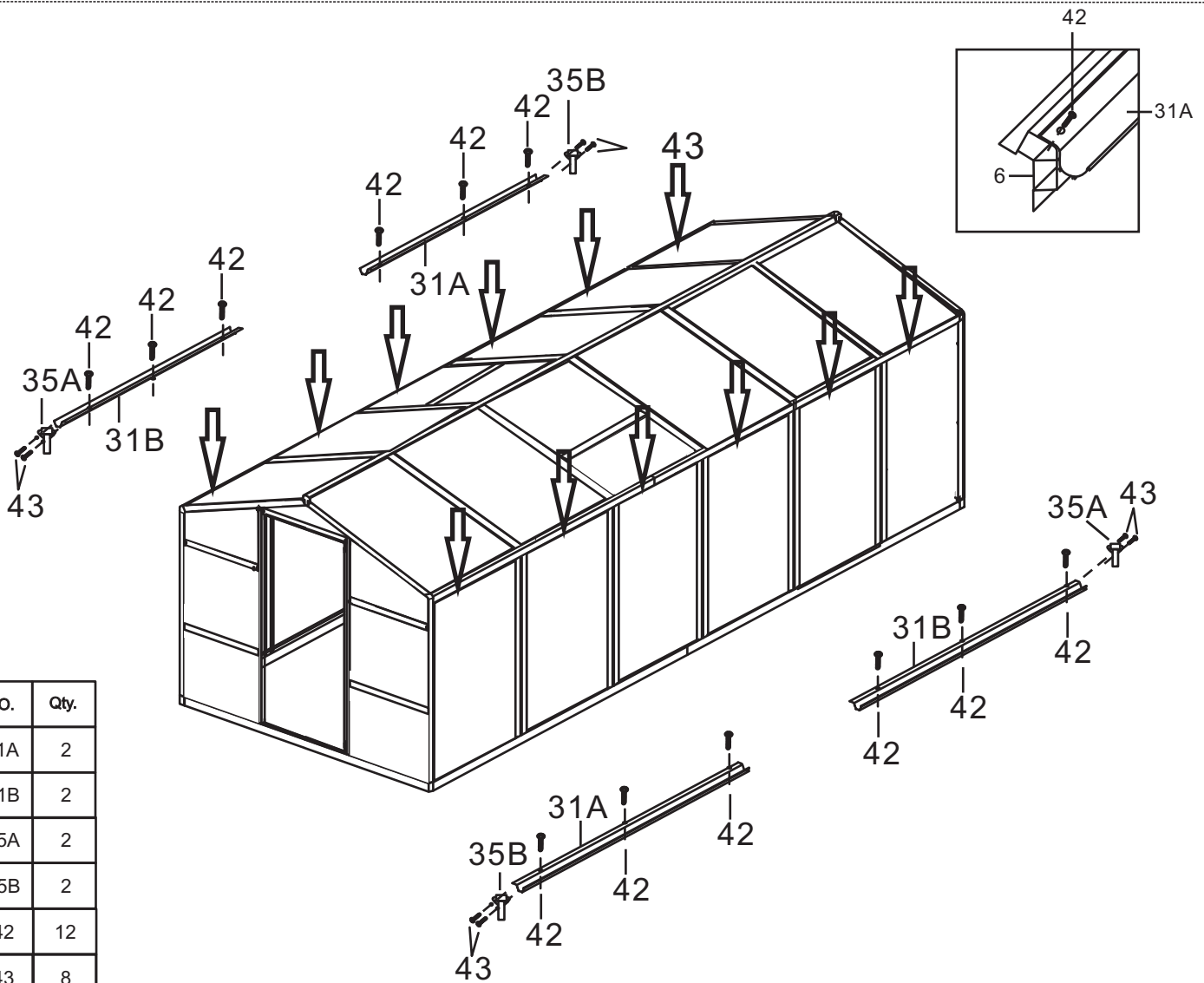


Picture	NO.	Qty.
	17	4
	18A	2
	18B	2
	24	2
	41	16
	42	4










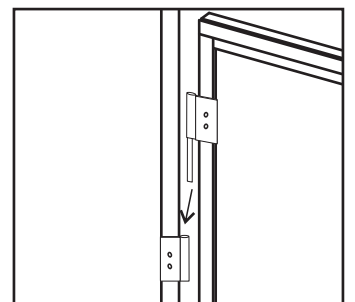
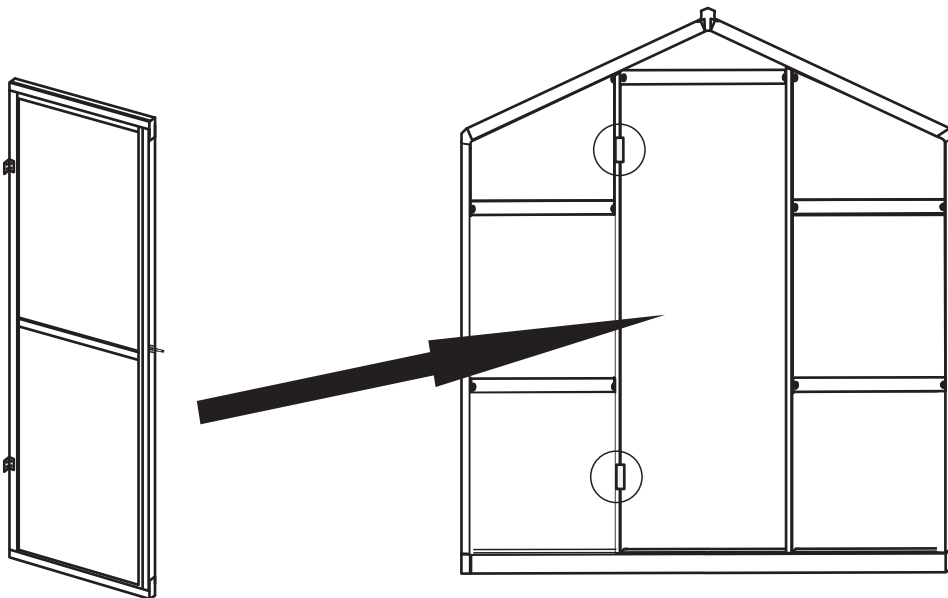
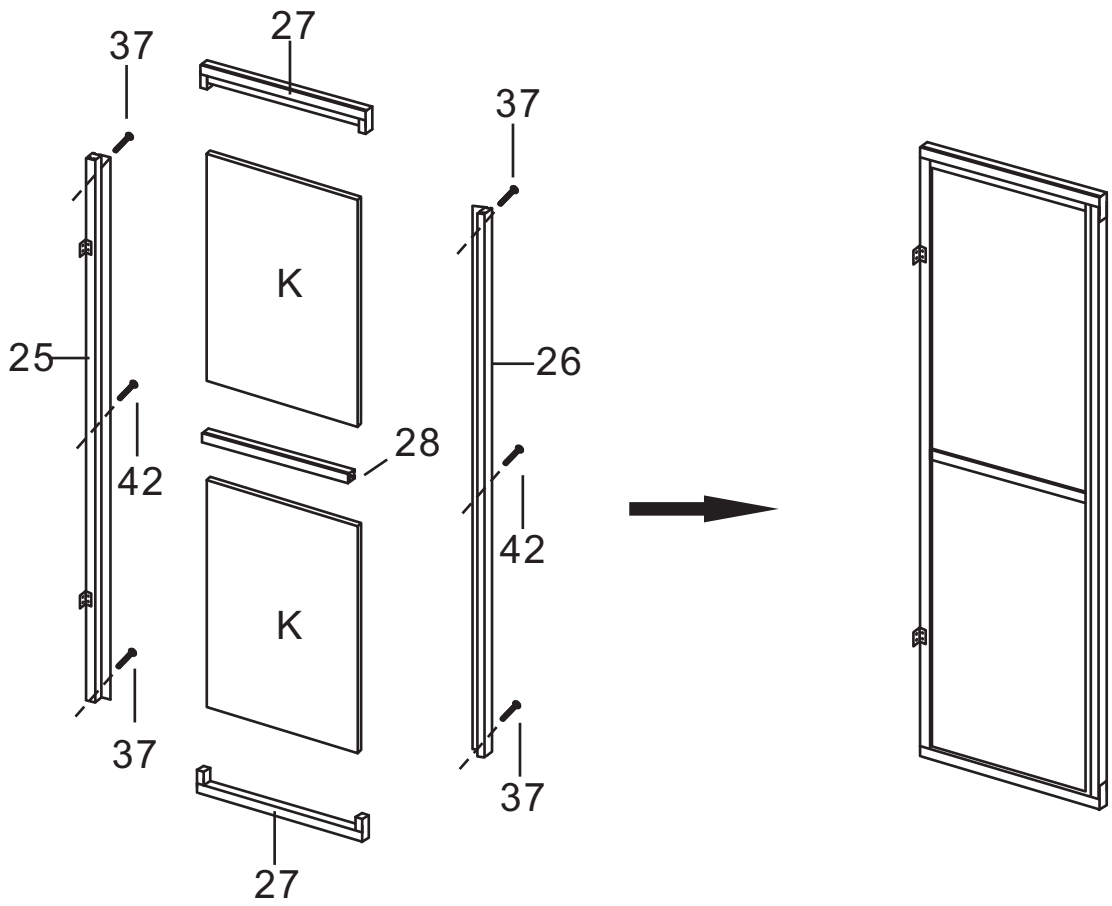


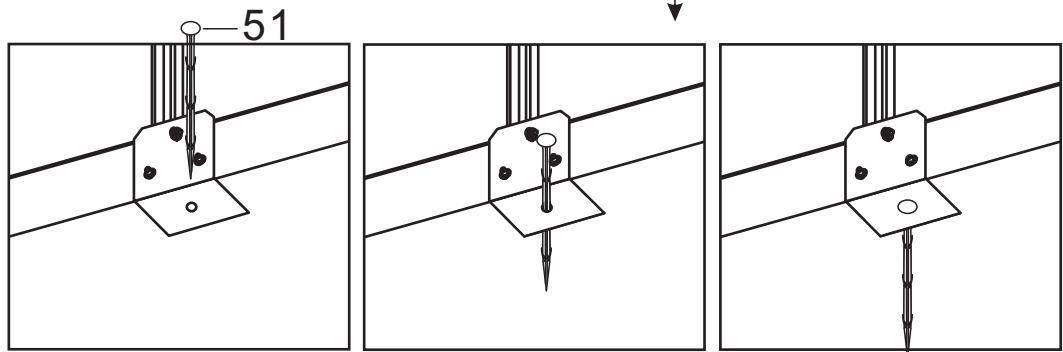
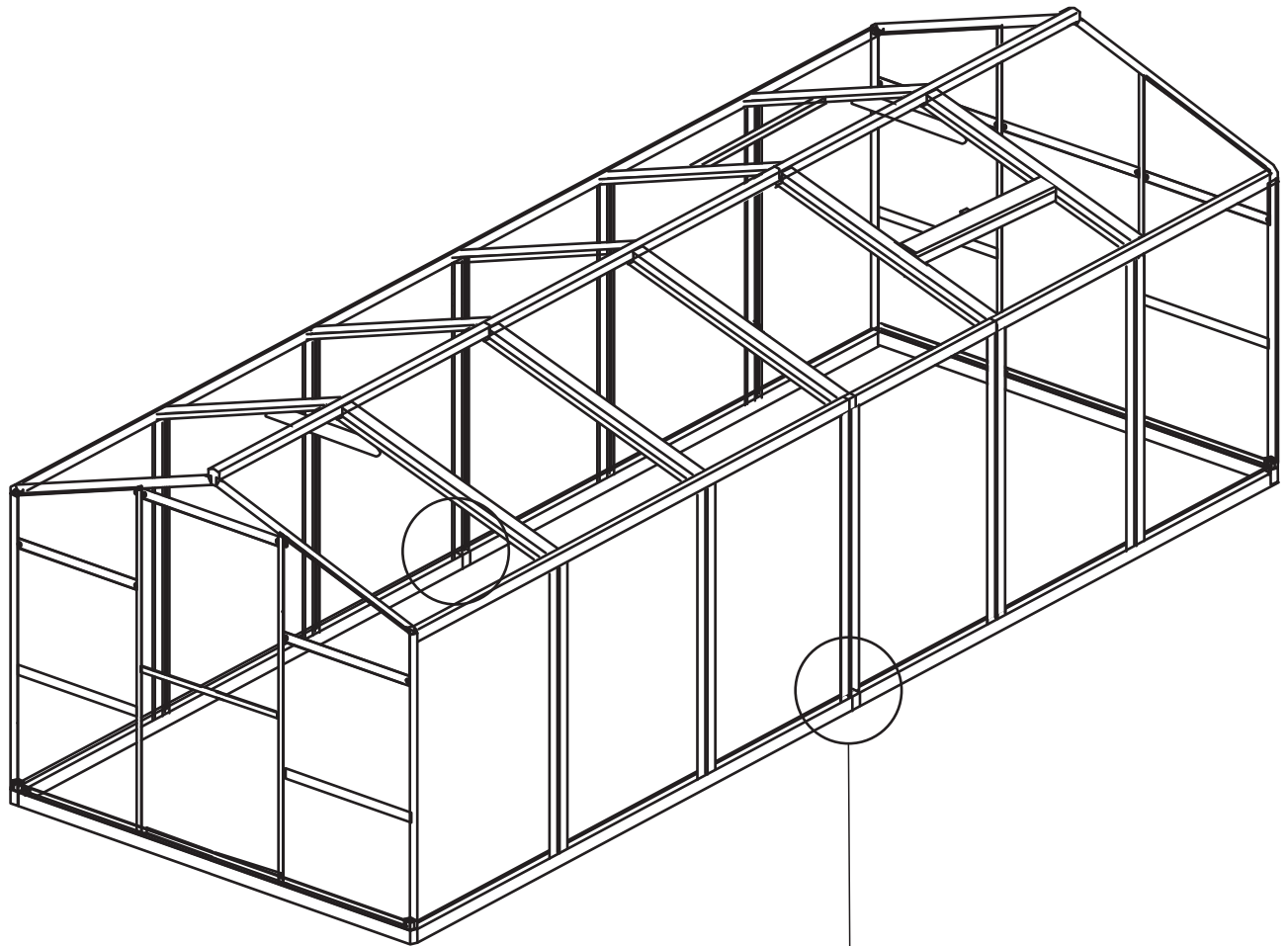
Picture	NO.	Qty.
	B	6
	J	2




Picture	NO.	Qty.
	31A	2
	31B	2
	35A	2
	35B	2
	42	12
	43	8

Picture	NO.	Qty.
	25	1
	26	1
	27	2
	28	1
	K	2
	37	4
	42	2





Picture	NO.	Qty.
	51	2

Check and tighten all screws to ensure that the greenhouse is sturdy.