

DAPU

LCD_P Instructions



CHUBUT PRECISE ELECTRONIC COMPANY LIMITED

Content

ABOUT THE USER MANUAL	2
OUTLOOK AND COLOR	2
MATERIAL AND SIZE.....	2
BUTTON DEFINITION	3
FUNCTION SUMMARY	4
FUNCTION SUMMARY.....	4
FULL VIEW AREA.....	5
NORMAL VIEW AREA.....	6
NORMAL OPERATION	6
1. ON/OFF.....	6
2. CURRENT DISPLAY.....	6
3. RIDING MODE SELECTION.....	7
4. SPEED DISPLAY.....	7
5. KM/H & MPH.....	7
6. BACKLIGHT INDICATOR.....	7
7. 6KM/H WORK.....	8
8. PAS LEVEL SELECTION.....	8
9. ERROR CODE INSTRUCTION.....	9
10. SET OPEARATION.....	9
11. DISTANCE INDICATOR.....	11
12. TRIP TIME INDICATOR.....	12
13. BATTERY INDICATOR.....	12
14. AUTO SLEEP AFTER 5 MINUTES.....	13
COMMON PROBLEMS & SOLUTIONS	13
ERROR CODE TABLE	15

ABOUT THE USER MANUAL

Dear users,

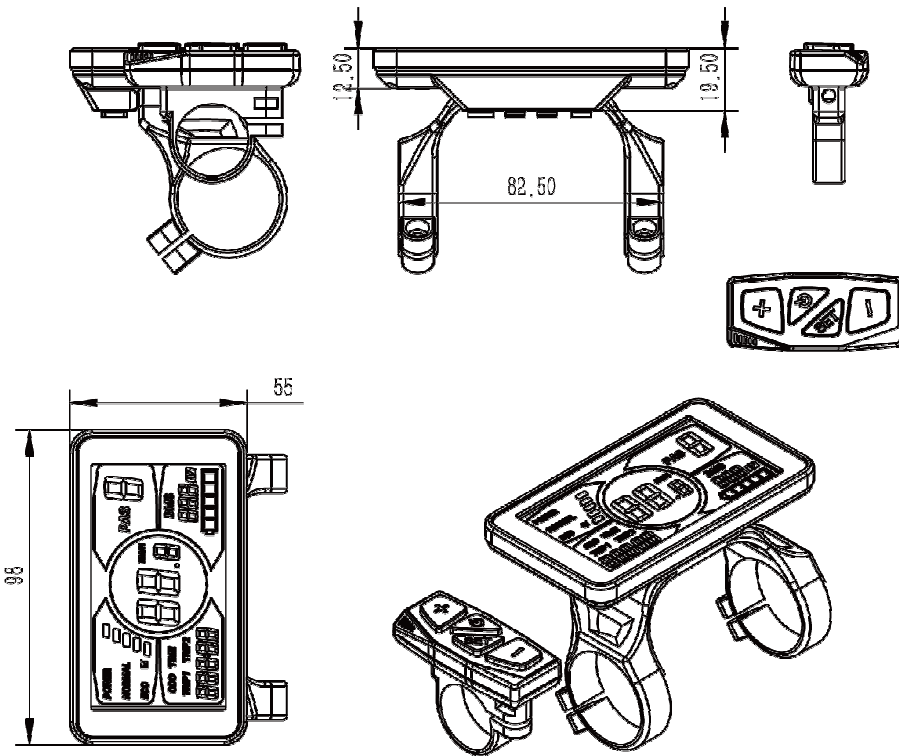
To ensure better performance of your e-bike, please read through the LCD-P product introduction carefully before using it. We will inform you all the details concisely (including hardware installation, setting and normal operations) when using our display. Meanwhile, the introduction will also help you solve possible confusion and malfunction.

OUTLOOK AND COLOR


MATERIAL AND SIZE

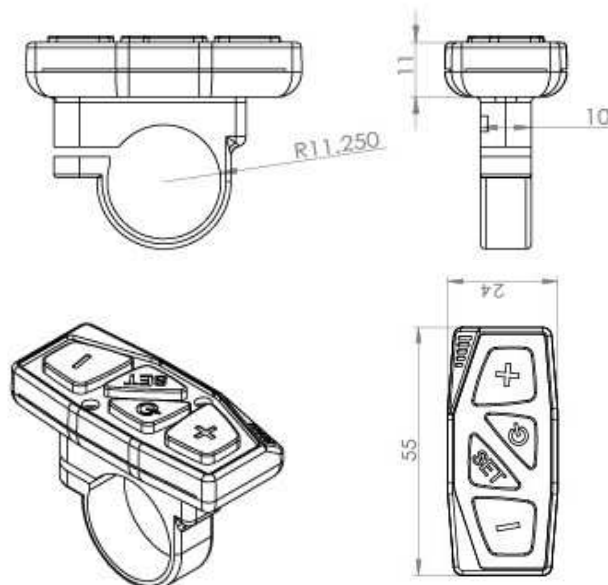
LCD-P products are made of black ABS material and the bracket is made of nylon material. Under the temperature of -20 to 60°C, the shell material can ensure normal usage and good mechanical performance of the products.

Dimension figure (unit: mm)



BUTTON DEFINITION

LCD-P has four buttons, including **ON/OFF**、**SET**、**UP** and **DOWN** “ON/OFF” names to “”, “SET” names to “**SET**”; “UP” names to “+” and “DOWN” names to “-”.

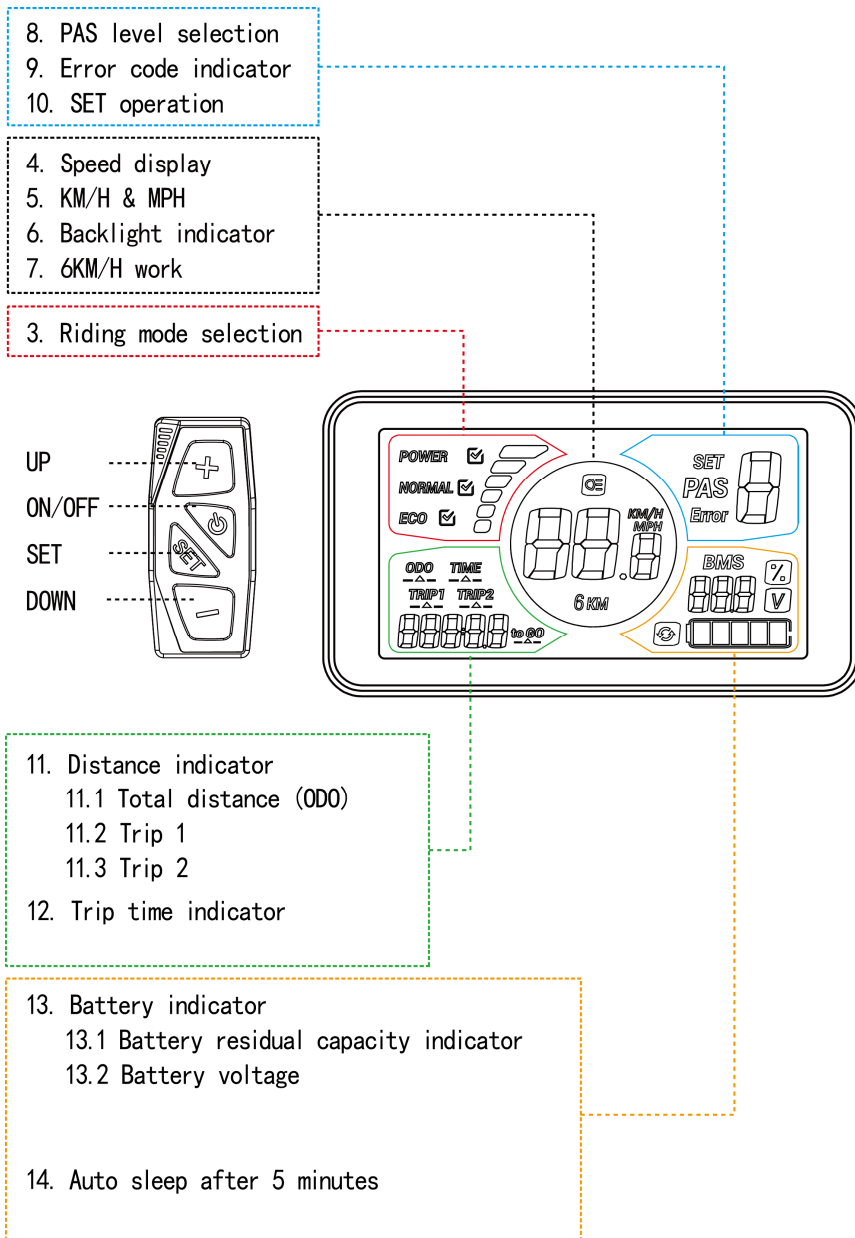


FUNCTION SUMMARY

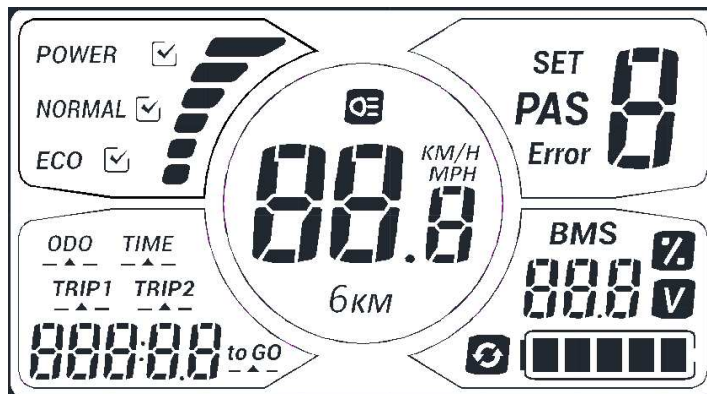
FUNCTION SUMMARY

LCD-P provides a wide range of functions and indicators to fit the users' needs. The indicated contents are as below.

1. ON/OFF
2. Current display
3. Riding mode selection
4. Speed display
5. KM/H & MPH
6. Backlight indicator
7. 6KM/H work
8. PAS level selection
9. Error code indicator
10. SET operation
11. Distance indicator
 - 11.1 Total distance (ODO)
 - 11.2 Trip 1
 - 11.3 Trip 2
12. Trip time indicator
13. Battery indicator
 - 13.1 Battery residual capacity indicator
 - 13.2 Battery voltage
14. Auto sleep after 5 minutes

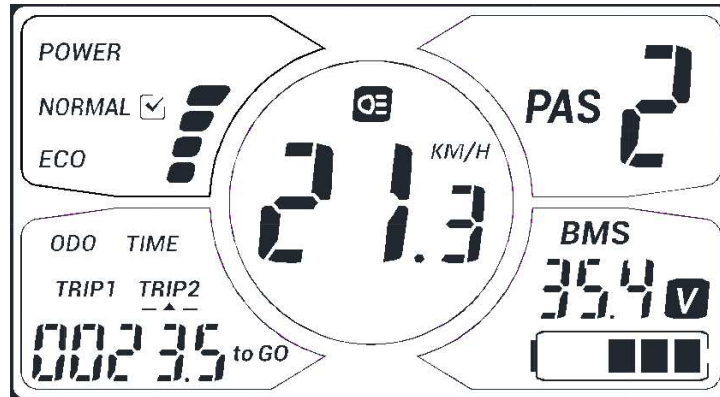


FULL VIEW AREA



NORMAL VIEW AREA

With the display on, the default display are riding speed、ODO、PAS level、 battery indicator as show in fig below. Press **SET** to switch the display information.



NORMAL OPERATION

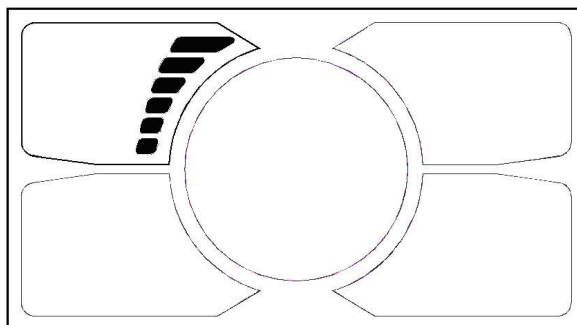
1. ON/OFF

Hold **ON/OFF** and start the display. The display will provide power for the controller. Hold **ON/OFF** again to open the backlight. With display on, press **ON/OFF** for 3 seconds to turn off the power. With the display off, there is no battery power consumption. The leakage current is no more than 2 μ A.

※ The panel will go to sleep when the speed is 0 km/h for 5 minutes.

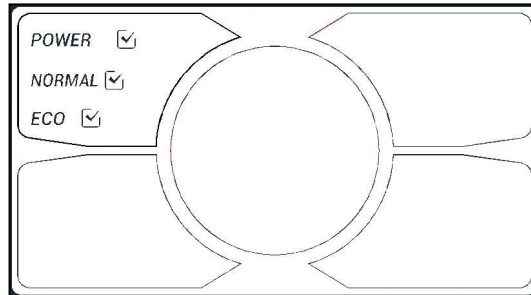
2. CURRENT DISPLAY

That represents the discharging current of the controller currently, each segment is 2A, six segments is ≥ 12 A.



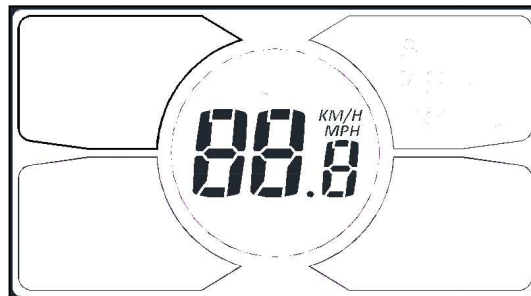
3. RIDING MODE SELECTION

There are three modes for riding with arrow selection, including POWER, NORMAL and ECO. The default option is POWER.



4. SPEED DISPLAY

The speed display is as below, and user can select KM/H or MPH in SET4.

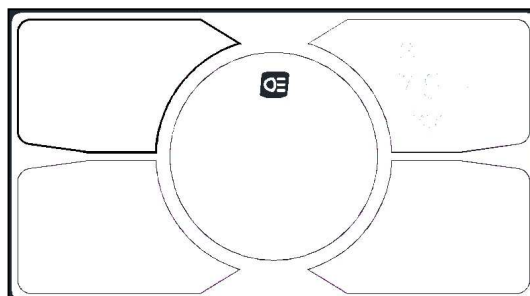


5. KM/H & MPH

Select KM/H or MPH for the speed and mileage, display will be the currently selected units display.

6. BACKLIGHT INDICATOR

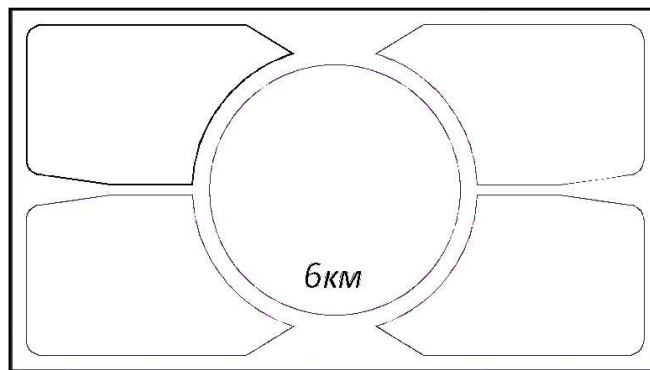
With the power on, click the ON/OFF and turn on the backlight. Click it again and turn off the backlight.



※ If the e-bike has headlight, the controller will turn on/off the headlight at the same time of the backlight on/off (without this function by default)

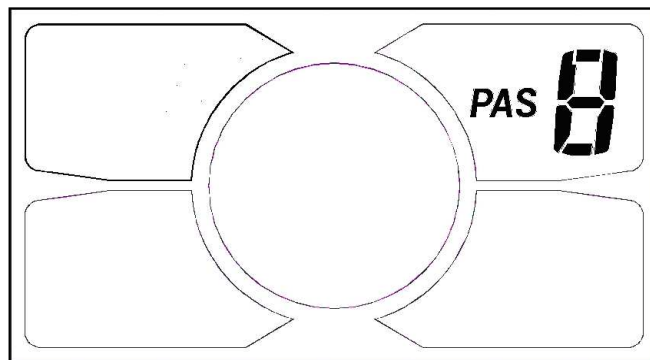
7. 6KM/H WORK

Hold the **DOWN** for 2 seconds to get in 6km PAS work, and with your hand off, the 6km PAS work is released. The display is as below.



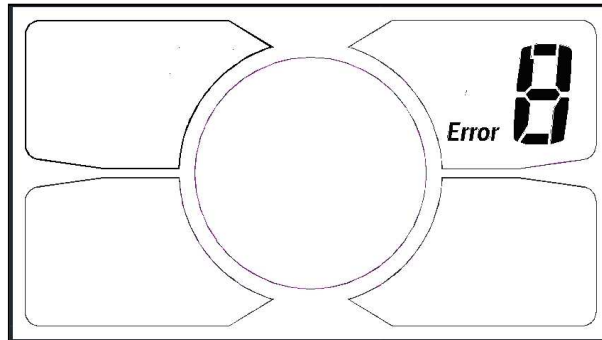
8. PAS LEVEL SELECTION

Click **UP** or **DOWN** to change the stages and output power ratio, the default mode is mode 6 and it's output power range from level 1 to level 6 (mode 3 and mode 9 can be customized), the default value is level 1.



9. ERROR CODE INSTRUCTION

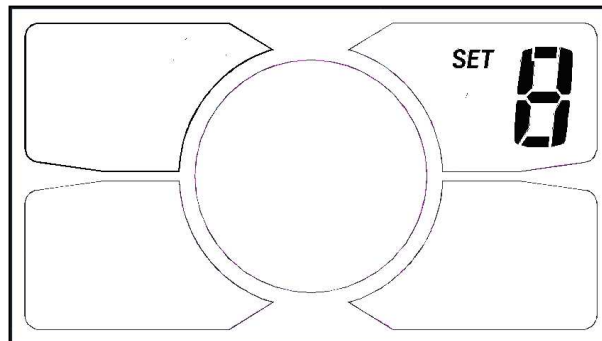
If there is something wrong with the electronic control system, the display will flash at 1 HZ and show the error code automatically. Different error code is corresponding with different fault information, please see the page 15 **Error code table** for details.



※ Display return to normal only after problem being fixed and e-bike will not run before fixing the problem.

10. SET OPERATION

Hold the **SET** for 2 seconds and enter into the setting interface, then Number 8 is lighting, the display will flash at 1 HZ. Click the **SET** to cycle from 0 to 4 setting interface, press **UP** or **DOWN** to select the wanted parameter, and hold the **SET** for 1 second to exit.



10.1. SET0: Riding mode selection

There are three modes for selection: POWER、NORMAL、ECO.

10.2、 SET1: Reset trip 1 distance

Click the **DOWN** to reset the trip 1, then the TRIP1 icon will flash at 1 HZ, meanwhile the trip 1 will be cleared.

10.3、 SET2: Max speed limited setting

The max speed is 25 km/h for the default. In the SET 2 interface, user can modify the value of max speed, when the riding speed exceeds the set value, the controller will stop supplying power to the e-bike, in order to ensure the safety of rider.

10.4、 SET3: Wheel diameter setting

Select the accurate wheel diameter value to ensure the accuracy of display about speed and mileage.

10.5、 SET4: KM/H & MPH

Select KM/H or MPH for the speed and mileage, display will be the currently selected units display.

※ Press **UP** or **DOWN** to select parameter, hold the **SET** for 1 second to save and exit.

11. DISTANCE INDICATOR

With the display on, press **SET** to switch the display information, in turn shows: ODO, trip 1 and trip 2.

11.1 ODO

The ODO records the driving mileage from using, the accumulated value cannot be cleared.

11.2 Trip1

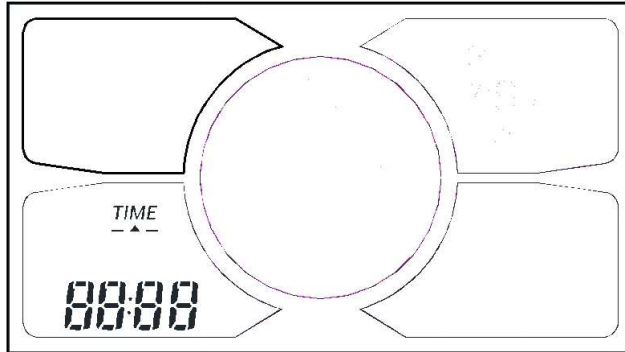
Trip 1 is resetted by hand in the **SET 1 interface**. (when the riding mileage $\geq 500\text{km}$, it will be resetted automatically. The value will be accumulated without resetting.)

11.3 Trip 2

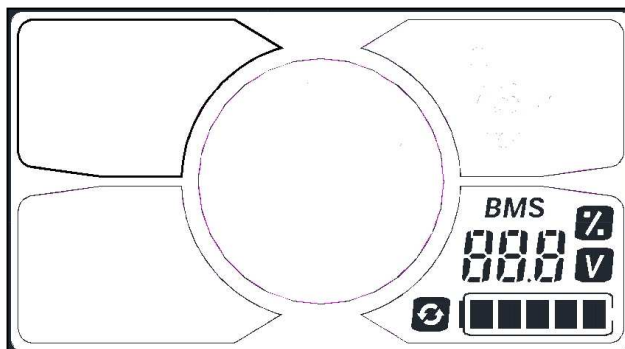
Trip 2 displays the last driving distance for 30 s after turning on the display, then reset it automatically and start to record the current distance.

12. TRIP TIME INDICATOR

The riding time parameter is automatically reset after shut down.



13. BATTERY INDICATOR



13.1 Battery residual capacity indicator

The battery frame have five segments, each segment represent 20% battery capacity. When the capacity is full, the five segments are all light. In low battery, the battery frame will flash, it indicates that the battery is severely low and needs to be recharged immediately.



Low battery flash

13.2 Battery voltage

It displays the current voltage of the battery.

13.3 Battery capacity percentage (without this function by default)

It displays the percentage of battery capacity. This function needs to be customized.

13.4 Battery charging and discharging times (without this function by default)

This function needs customization.

※ The panel displays the voltage for the default.

14. AUTO SLEEP AFTER 5 MINUTES

When the riding speed is 0 km/h for 5 minutes, the system will go to sleep automatically.

COMMON PROBLEMS & SOLUTIONS

Q: Why the display is not able to start up?

A: Checking the connector that between display and controller.

Q: How to deal with the error code?

A: Fix it to the maintenance place immediately. If cannot be resolved, you can go to the electric vehicle repair points repair it in a timely manner.

ERROR CODE TABLE

Corresponding error code is shown to indicate the malfunction:

Error code	Definition
2	Current Abnormality or Damage of MOS
3	Motor blocked
4	Low voltage
5	Brake Abnormality (POST)
6	The hall of motor Abnormality
7	Throttle Abnormality
8	358 Error
9	Over voltage (>45V)
A	Controller Communication Abnormality
F	Panel Communication Abnormality